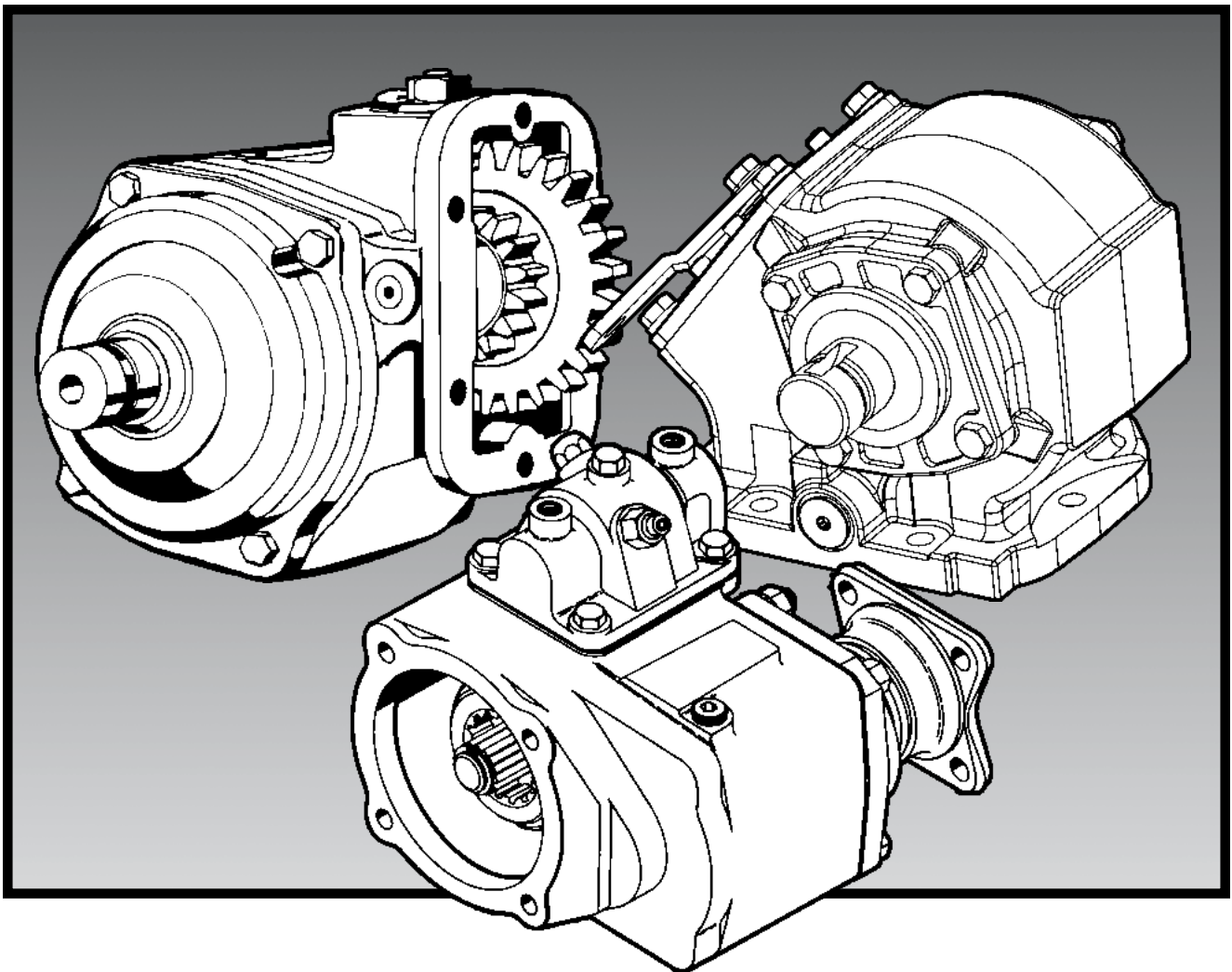


CHELSEA[®]

Bulletin HY25-2441-M1/US

Parts List 441 Series

Effective: December 15, 2001
Supersedes: P410-441 Dated November 2000



For parts or service call us
Pro Gear & Transmission, Inc.



1 (877) 776-4600

(407) 872-1901

parts@eprogear.com

906 W. Gore St.

Orlando, FL 32805



 **WARNING**

FAILURE OR IMPROPER SELECTION OR IMPROPER USE OF THE PRODUCTS AND/OR SYSTEMS DESCRIBED HEREIN OR RELATED ITEMS CAN CAUSE DEATH, PERSONAL INJURY AND PROPERTY DAMAGE.

This document and other information from Parker Hannifin Corporation, its subsidiaries and authorized distributors provide product and/or system options for further investigation by users having technical expertise. It is important that you analyze all aspects of your application and review the information concerning the product or system in the current product catalog. Due to the variety of operating conditions and applications for these products or systems, the user, through its own analysis and testing, is solely responsible for making the final selection of the products and systems and assuring that all performance, safety and warning requirements of the application are met.

The products described herein, including without limitation, product features, specifications, designs, availability and pricing, are subject to change by Parker Hannifin Corporation and its subsidiaries at any time without notice.

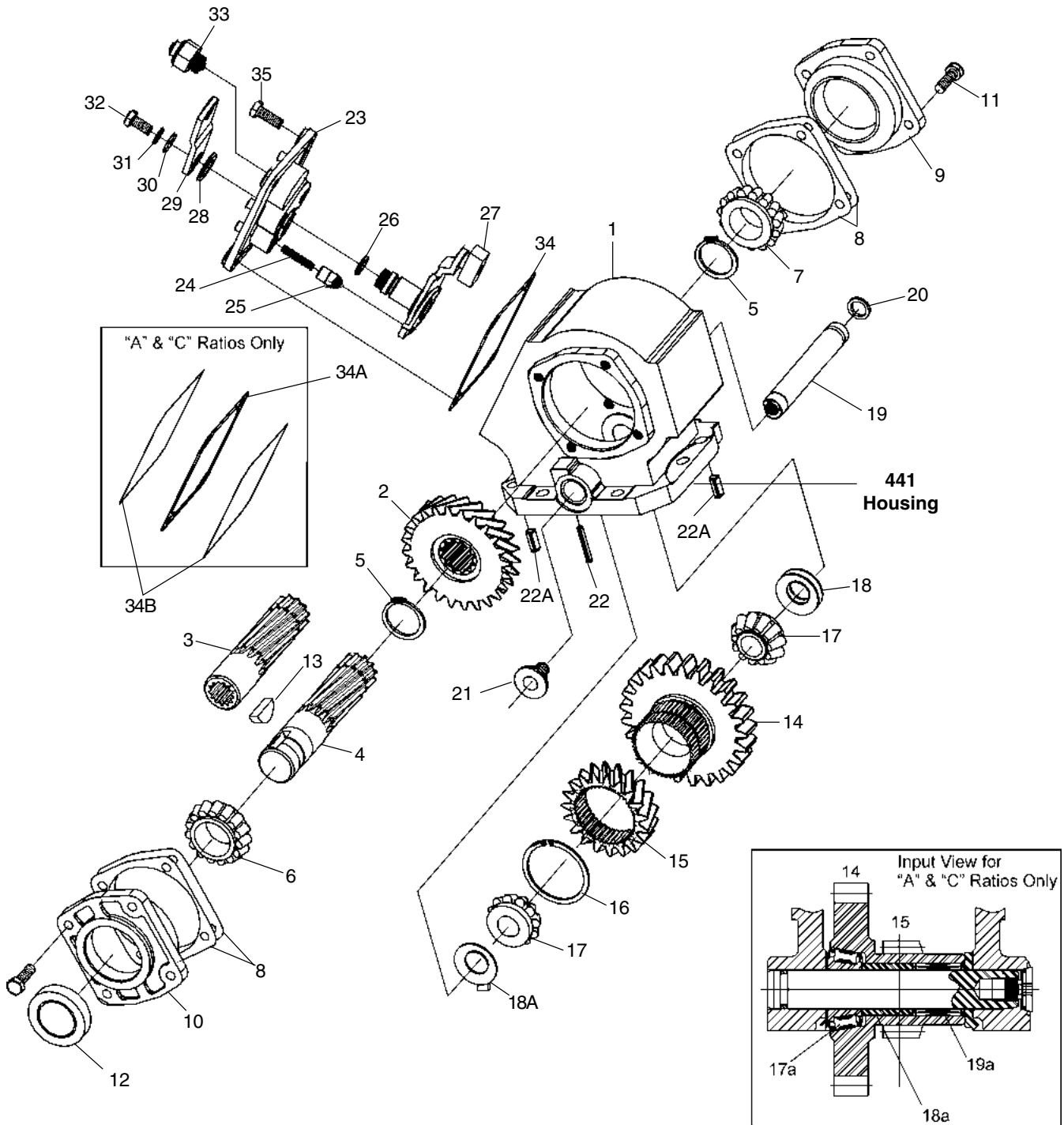
Offer of Sale

The items described in this document are hereby offered for sale by Parker Hannifin Corporation, its subsidiaries or its authorized distributors. This offer and its acceptance are governed by the provisions stated in the "Offer of Sale".

© Copyright 2001, Parker Hannifin Corporation, All Rights Reserved

Contents

Exploded View	1
Bill of Materials	2-4
Lever Control Parts (“Y” Designator)	5
Air Shift Control Parts	6
E-Z Shift™ Parts (“Z” Designator)	7
Shifter Kits	8
Constant Mesh Parts (“M” Designator)	9
Gear Chart	9
Direct Mount Pump Conversion	10
Pump Conversion Kit Bill of Materials	11
P.T.O. Housing Dimensions	12
Assembly Arrangements	12
Pump Flange and Shaft Dimension	13
Model Number Designation	14
Offer of Sale	16



Bill of Materials

Item	Part Number	Description	Quantity
1	1-P-570X	Housing, Standard Mount (includes Item 22)	1
2	See Chart Pg. 9	Output Gear	1
3	See Chart Pg. 9	Output Gear, Pump Mount	1
4	3-P-202	Output Shaft, Standard 1.125" Round .3125 K.W.	1
4	3-P-766	Output Shaft, Tapered	1
N.S.	379111	Square Key, "XX" Output	1
N.S.	501181	Locknut, Hex "XX" Output	1
5	378391	Lockring	2
6	550397	Bearing Cone, Open End	1
7	550532	Bearing Cone, Closed End	1
8	22-P-24-1	Bearing Cap Gasket (.010)	A.R.
	22-P-24-2	Bearing Cap Gasket (.020)	A.R.
	22-P-24-3	Bearing Cap Gasket (.015)	A.R.
9	328274X	Bearing Cap Ass'y, Closed End	1
N.S.	550221	Bearing Race	1
10	328273X	Bearing Cap Ass'y, Open End	1
N.S.	550221	Bearing Race	1
	See Chart Pg. 11	Bearing Cap Ass'y, Pump Mount	1
11	378430-10	Hex Capscrew .312"-18 x 1.000"	4
12	28-P-216	Oil Seal, Standard Output Shaft	1
	See Chart Pg. 11	Oil Seal, Pump Mount	1
13	500007-29	Woodruff Key	1
14	See Chart Pg. 9	Input Gear	1
15	See Chart Pg. 9	Input Ratio Gear	1
16	379522	Lockring	1
17	550439	Bearing Cone	2
17A	561006	Bearing, Cone (A & C only)	1
18A	14-P-75	Spacer, Input Bearing (A & C only)	1
19A	550890	Bearing, Needle Roller (A & C only)	1
18	14-P-73-1	Idler Gear Spacer (.149-.151)	A.R.
	14-P-73-2	Idler Gear Spacer (.152-.154)	A.R.
	14-P-73-3	Idler Gear Spacer (.155-.157)	A.R.
	14-P-73-4	Idler Gear Spacer (.158-.160)	A.R.
	14-P-73-5	Idler Gear Spacer (.161-.163)	A.R.
18A	31-P-102	Tab Thrust Washer	2
19	9-P-74	Idler Shaft, Standard	1
	9-P-76	Idler Shaft, Pressure Lube	1
20	28-P-191	O-Ring	1
21	379672	Retainer Plug, O-Ring, Hex Socket	1
22	500597-16	Roll Pin (1.125" long), Standard Mount	1
22A	379860	Slotted Spring Pins	2
		CABLE CONTROL COVER ASSEMBLIES	
		FOR RATIOS Q, W & X	
	329119-1X	Assemblies 3 & 6	1
	329119-2X	Assemblies 4 & 5	1
		FOR RATIOS F, H, L, R, S & U	
	329121-1X	Assemblies 3 & 6	1
	329121-2X	Assemblies 4 & 5	1
		FOR RATIOS A & C	
	329271-1X	Shifter Cover Assy, Wire Control (Assy 3 & 6)	1
	329271-2X	Shifter Cover Assy, Wire Control (Assy 4 & 5)	1

N.S. —Not Shown

A.R.—As Required

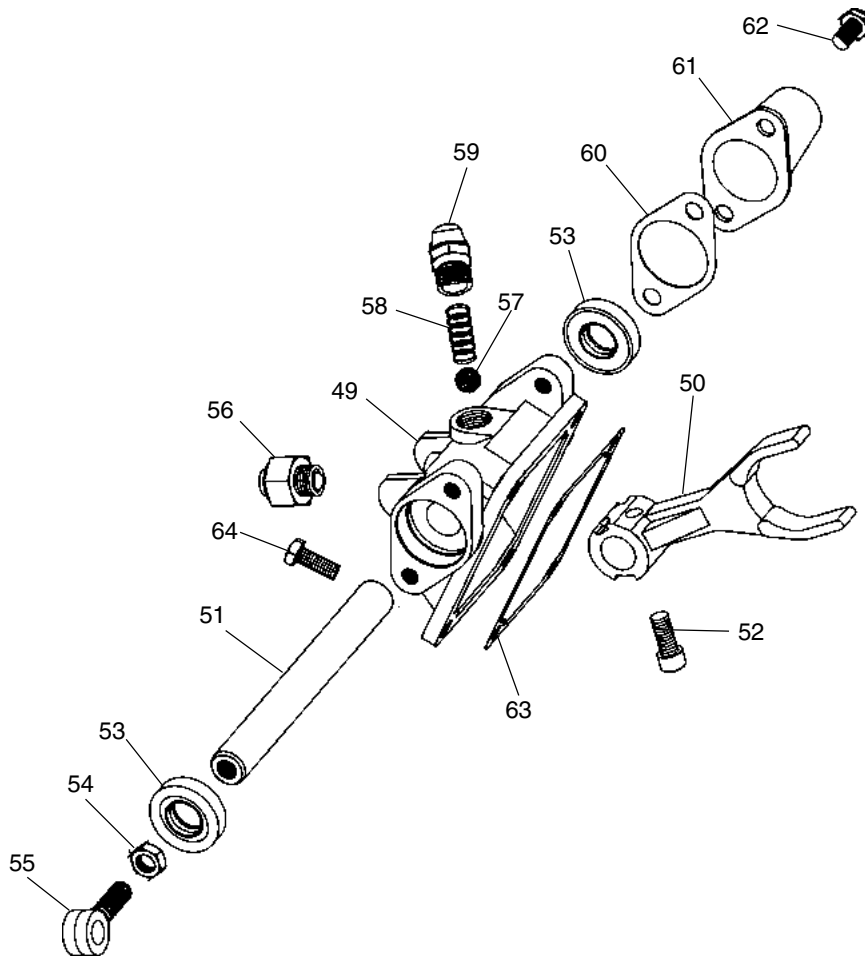
Table continued on following page

Item	Part Number	Description	Quantity
		All the shift cover assemblies shown on previous page include items 23 thru 33	
23	34-P-74	Shifter Cover	1
	34-P-39	Shifter Cover, Constant Mesh	1
24	37-P-19	Spring	1
25	63-P-16	Poppet	1
26	28-P-191	O-Ring	1
		POST & PLATE ASS'Y FOR RATIOS Q ,W, X	
27	329118-1X	For Assemblies 3 & 6	1
	329118-2X	For Assemblies 4 & 5	1
		POST & PLATE ASS'Y FOR RATIOS F, L, R, S & U	
	329120-1X	For Assemblies 3 & 6	1
	329120-2X	For Assemblies 4 & 5	1
		POST & PLATE ASS'Y FOR RATIOS A & C	
	329265-1X	For Assemblies 3 & 6	1
	329265-2X	For Assemblies 4 & 5	1
28	378004	Flat Washer	1
29	51-P-22	Shifter Lever	1
30	500365-22	Flat Washer	1
31	500356-10	Lockwasher	1
32	500409-6	Hex Capscrew	1
33	379639	Indicator Switch, Pin Style	1
34	35-P-8	Gasket, Shift Cover.....	1
34A	5-A-188	Gasket, Shifter Cover ("A" & "C" Ratio Only)	1
34B	35-P-8	Gasket, Shifter Cover ("A" & "C" Ratio Only)	2
35	378430-9	Hex Capscrew .312"-18 x .875" (Cable Shift)	4
	378430-8	Hex Capscrew .312"-18 x .750" (Electric, Lever, Air Shift)	4
	378430-6	Hex Capscrew .312"-18 x .625" (Constant Mesh)	4
	378430-10	Hex Capscrew (.312"-18 X 1.000") (Wire Shifter A & C Ra	4
		PARTS SHIPPED LOOSE	
	7170-72X	Stud Kit, Metric Standard Mount	1
	328346-10X	Wire Control Cable ("W" shifter)	1
		(Includes 378441-10 Cable and 378502 Knob)	
	329245X	Wire Control Bracket Kit ("C" shifter)	1
	328380X	Wire Control Parts Bag ("W" shifter)	1
	328388-37X	Air Shift Installation Kit ("A" shifter)	1
	328388-47X	Air Shift Installation Kit ("P" shifter)	1
	328388-48X	Air Shift Installation Kit ("Q" shifter)	1
	328388-65X	Air Shift Installation Kit ("S" shifter)	1
	328388-72X	Air Shift Installation Kit ("T" shifter)	
	328751-1X	INSTALLATION KIT (C, H, W, X & Y Shifter)	1
	68-P-18	Name Plate	1
	378978	12V Indicator Light	1
	378884	9-Amp Fuse Holder	1
	379252	Butt Connector.....	2
	379640	Connector	1
	328948-24X	GASKETS & INSTALLATION INSTRUCTIONS	1
	329166-12X	ELECTRIC SHIFT INSTALLATION KIT	1

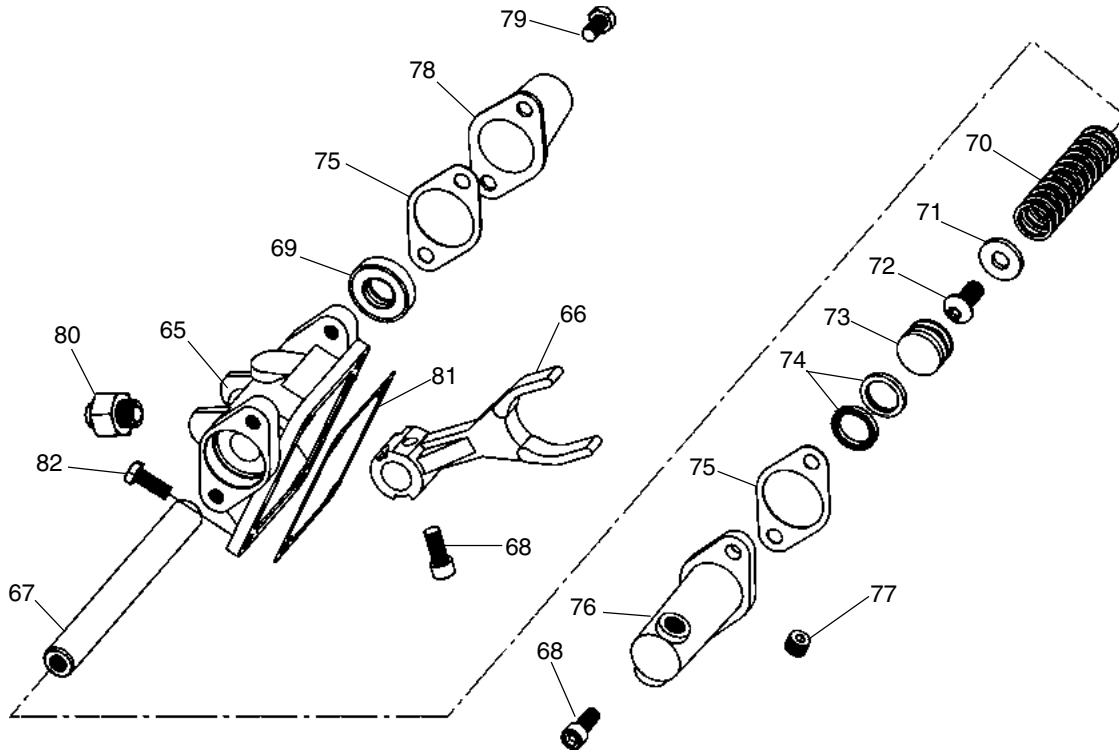
N.S. - Not Shown

Bill of Materials

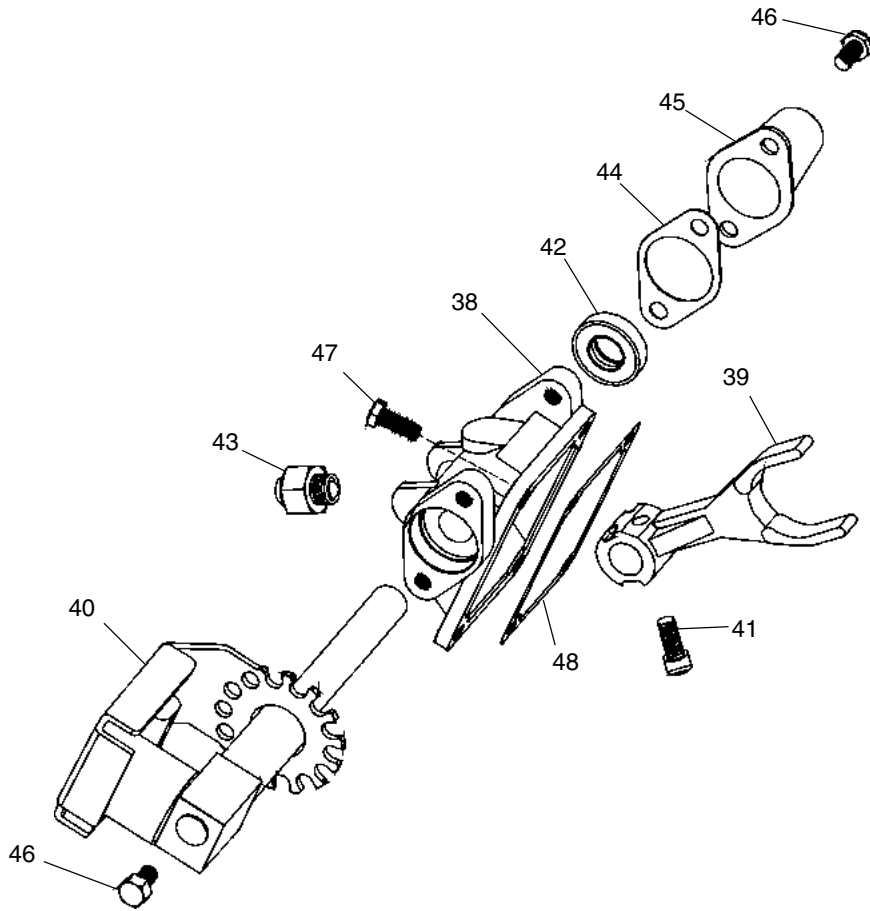
Item	Part Number	Description	Quantity
	328356-13X	GASKET & SEAL KIT	1
	328356-15X	SHIFT COVER SEAL KIT (Cable Control)	1
	328356-17X	SHIFT COVER SEAL KIT (Air Shift)	1
	328356-26X	SHIFT COVER SEAL KIT (Lever Control)	1
	329143X	SHIFT SHAFT COVER KIT	1
		(Includes Items 60, 61, 62 on pg. 7)	
	329218X	INDICATOR SWITCH SERVICE KIT	1
	328594-13X	BEARING & SPACER KIT, Standard Idler Shaft	
	14-P-73-1	Spacer Idler Gear (.149 - .151)	1
	14-P-73-2	Spacer Idler Gear (.152 - .154)	1
	14-P-73-3	Spacer Idler Gear (.155 - .157)	1
	14-P-73-4	Spacer Idler Gear (.158 - .160)	1
	14-P-73-5	Spacer Idler Gear (.161 - .163)	1
	28-P-191	O-Ring	1
	31-P-102	Thrust Washer	1
	379672	NWD Plug	1
	550439	Bearing	2
	9-P-88	Idler Shaft	1
	328594-14X	BEARING & SPACER KIT, Pressure Lube Idler Shaft	
	14-P-73-1	Spacer, Input Gear (.055)	1
	14-P-73-2	Spacer, Input Gear (.060)	1
	14-P-73-3	Spacer, Input Gear (.065)	1
	14-P-73-4	Spacer, Input Gear (.070)	1
	14-P-73-5	Spacer, Input Gear (.075)	1
	379672	NWD Plug	1
	379484	Hex Socket, Straight Thread	1
	38-P-102	Washer, Thrust	1
	28-P-191	O-Ring	1
	550439	Bearing Cone	2
	500841-1	90° Elbow	1
	9-P-89	Idler Shaft	1



Item	Part Number	Description	Quantity
	329035-1X	LEVER CONTROL ASSEMBLY (Ass'y 3 & 6)	1
	329035-2X	LEVER CONTROL ASSEMBLY (Ass'y 4 & 5)	1
	(All the assemblies shown above include items 49 thru 64)		
49	34-P-87	Shift Cover	1
50	32-P-166	Shifter Fork	1
51	11-P-112	Shifter Shaft	1
52	378447-4	Socket Head Capscrew	1
53	28-P-207	Oil Seal	2
54	500381-3	Hex Lock Nut (.375"-24)	1
55	36-P-1	Eye Bolt	1
56	379639	Indicator Switch	1
57	378002	Poppet Ball	1
58	37-P-41	Poppet Spring	1
59	378554	Poppet Cap	1
60	35-P-14	Gasket, Shifter Shaft Cover	1
61	65-P-23	Shifter Shaft Cover	1
62	378430-4	Hex Capscrew (.312"-18 x .500")	2
63	35-P-8	Gasket, Shifter Cover	1
64	378430-8	Hex Capscrew (.312"-18 x .750")	4



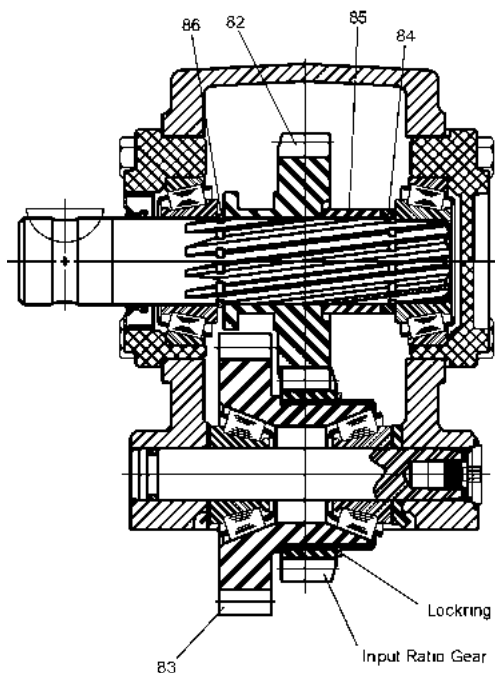
Item	Part Number	Description	Quantity
	329036-1X	SHIFT COVER ASSEMBLY 12V (Ass'y 3 & 6)	1
	329036-2X	SHIFT COVER ASSEMBLY 12V (Ass'y 4 & 5)	1
	(All the assemblies shown above include items 65 thru 82)		
65	34-P-76	Shift Cover	1
66	32-P-166	Shifter Fork	1
67	11-P-112	Shifter Shaft	1
68	378447-4	Socket Head Capscrew (.312"-18 x .750")	3
69	28-P-207	Oil Seal	1
70	37-P-25	Return Spring	1
71	378462	Washer	1
72	378908	Button Head Capscrew	1
73	66-P-22	Piston	1
74	28-P-41	O-Ring	1
75	35-P-14	Gasket, Shifter Shaft Cover	2
76	65-P-14	Cylinder	1
77	379231	Pipe Plug	1
78	65-P-23	Shifter Shaft Cover	1
79	378430-4	Hex Capscrew (.312"-18 x .500")	2
80	379639	Indicator Switch	1
81	35-P-8	Gasket, Shift Cover	1
82	378430-8	Hex Capscrew (.312"-18 x .750")	4
	AIR SHIFT FIELD CONVERSION KITS		
	328390-85X	Lever To Air Shift	1
	328390-117X	Cable To Air (Ass'y 3 & 6)	1
	328390-118X	Cable To Air (Ass'y 4 & 5)	1
	328390-119X	Cable To Electric/Air 12V (Ass'y 3 & 6)	1
	328390-120X	Cable To Electric/Air 24V (Ass'y 3 & 6)	1
	328390-121X	Cable To Electric/Air 12V (Ass'y 4 & 5)	1
	328390-122X	Cable To Electric/Air 24V (Ass'y 4 & 5)	1



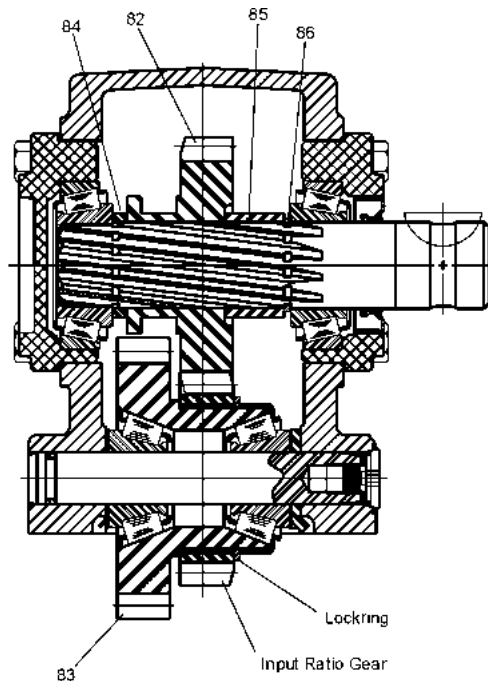
Item	Part Number	Description	Quantity
	329165-1X	SHIFT COVER ASSEMBLY 12V (Ass'y 3 & 6)	1
	329165-2X	SHIFT COVER ASSEMBLY 12V (Ass'y 4 & 5)	1
	(All the assemblies shown above include items 38 thru 46)		
38	34-P-76	Shift Cover	1
39	32-P-166	Shifter Fork	1
40	329225-12X	Electric Shift Ass'y	1
41	378447-4	Socket Head Capscrew (.312"-18 x .500")	1
42	28-P-207	Oil Seal	1
43	379639	Indicator Switch, 12 Volt	1
44	35-P-14	Gasket, Shifter Shaft Cover	1
45	65-P-23	Shifter Shaft Cover	1
46	378430-4	Hex Capscrew (.312"-18 x .500")	4
47	378430-8	Hex Capscrew (.312"-18 x .750")	4
48	35-P-8	Gasket, Shifter Cover	1
	ELECTRIC SHIFT FIELD CONVERSION KITS		
	328390-105X	Lever To Electric/Air 12V	1
	328390-106X	Lever To Electric/Air 24V	1
	328390-138X	Cable To Electric 12V (Ass'y 3 & 6)	1
	328390-139X	Cable To Electric 12V (Ass'y 4 & 5)	1
	328390-140X	Lever To Electric/Air 12V	1

For P.T.O.'s ordered without the shifter (Shifter Type "H"), the kits shown below will provide all the components required to complete the assembly.

Part Number	Description
329106-39X	Air Shift (Ass'y 3 & 6)
329106-40X	Air Shift (Ass'y 4 & 5)
329106-43X	Electric/Air 12V (Ass'y 3 & 6)
329106-44X	Electric/Air 12V (Ass'y 4 & 5)
329106-45X	Electric/Air 24V (Ass'y 3 & 6)
329106-46X	Electric/Air 24V (Ass'y 4 & 5)
329106-47X	Lever Shift 12V (Ass'y 3 & 6)
329106-48X	Lever Shift 12V (Ass'y 4 & 5)
329106-105X	Cable Shift (Q, W, X Ratios, Ass'y 3 & 6)
329106-106X	Cable Shift (Q, W, X Ratios, Ass'y 4 & 5)
329106-107X	Cable Shift, Less Cable (Q, W, X Ratios, Ass'y 3 & 6)
329106-108X	Cable Shift, Less Cable (Q, W, X Ratios, Ass'y 4 & 5)
329106-109X	Cable Shift (F,R,L,S,U Ratios, Ass'y 3 & 6)
329106-110X	Cable Shift (F,R,L,S,U Ratios, Ass'y 4 & 5)
329106-111X	Cable Shift, Less Cable (F,R,L,S,U Ratios, Ass'y 3 & 6)
329106-112X	Cable Shift, Less Cable (F,R,L,S,U Ratios, Ass'y 4 & 5)
329106-125X	Easy Shift 12V (Ass'y 3 & 6)
329106-126X	Easy Shift 12V (Ass'y 4 & 5)
329143X	Field Conversion Kit (Shifter Shaft)



ASS'Y 4 & 6



ASS'Y 3 & 5

Item	Part Number	Description	Quantity
82	See Chart Below	Output Gear	1
83	5-P-1243	Input Gear	1
84	54-P-166	Spacer, Drive Shaft	1
85	4-P-167	Spacer, Drive Shaft	1
86	378391	Lockring	1
NS	34-P-39	Cover Plate, Shifter	1
NS	35-P-8	Gasket, Shifter Cover	1
NS	378430-6	Capscrews, Hex Head (.312-18 x .625)	4

Input Gear Chart

Model Number	Part Number	Gear Type	No. Teeth
441**JA	5-P-1243	Left Hand Helix	27
441*AJA	5-P-1366	Left Hand Helix	27—14
441*CJA	5-P-1368	Left Hand Helix	27—16
441*FJA	5-P-1340	Left Hand Helix	27—21
441*HJA	5-P-1342	Left Hand Helix	27—23

Ratio Gear Charts

INPUT			OUTPUT		
Ratio	Part Number	No. Teeth	Ratio	Part Number	No. Teeth
A	See Input Gear Chart	-	A	2-P-791	39
C	See Input Gear Chart	-	C	2-P-792	37
F	See Input Gear Chart	-	F	2-P-726	37
H	See Input Gear Chart	-	H	2-P-802	35
L	5-P-964	25	L	2-P-727	34
Q	5-P-965	19	Q	2-P-559	24
R	5-P-1214	22	R	2-P-559	24
S	5-P-966	24	S	2-P-637	22
U	5-P-967	26	U	2-P-560	20
W	5-P-968	26	W	2-P-561	17
X	5-P-969	38	X	2-P-728	21

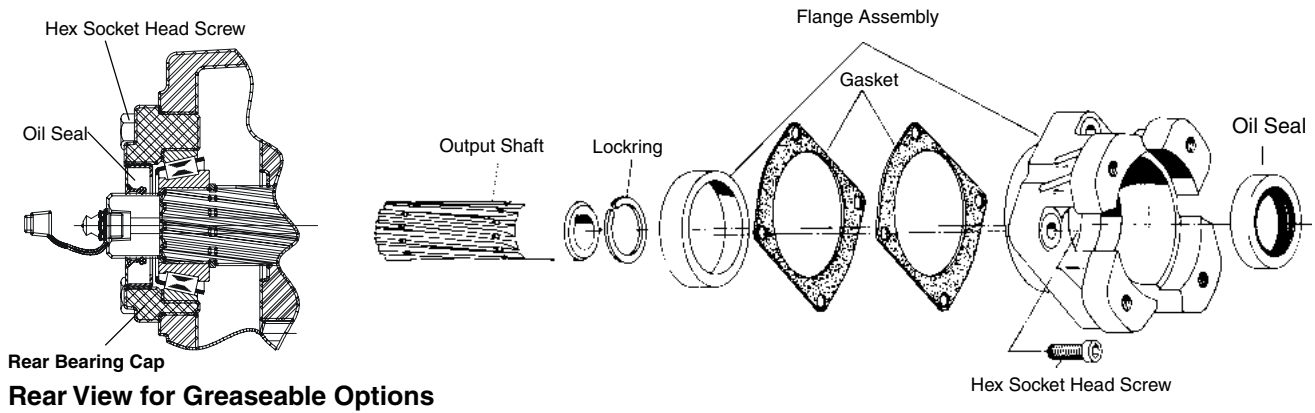
Flange Suffix	Flange Type	Shaft Type	Conversion Kit
AA	Special For England	.982"-6 Spline	
AF	S.A.E. "BB" 2 or 4 Bolt	1.0"-15 Spline	328591-30X
AK	S.A.E. "B" 2 Bolt	7/8"-13 Spline	328591-28X
AZ	Non-Standard 4 Bolt	1-1/4"-14 Spline	328591-70X
FF	S.A.E. "B" 2 or 4 Bolt	7/8" Round	328591-29X
GA	Rotatable S.A.E. "B" 2 Bolt	7/8"-13 Spline	0 328591-72X
GB	Rotatable S.A.E. "B" 4 Bolt	7/8"-13 Spline	0 328591-74X
GF	S.A.E. "BB" 2 or 4 Bolt	1.0"-15 Spline	0 328591-71X
GK	S.A.E. "B" 2 or 4 Bolt	7/8"-13 Spline	0 328591-89X
GP	S.A.E. "A" Pilot 2 or 4 Bolt	7/8"-13 Spline	0 328591-90X
GQ1	S.A.E. "B" 2 or 4 Bolt	7/8"-13 Spline	0 328591-91X
GR	CHELSEA Special 4 Bolt	7/8"-13 Spline	0 328591-76X
GY	DIN 5462 Pump Mounting	DIN 5462	0 328591-92X
GZ	Non-Standard 4 Bolt	1-1/4"-14 Spline	328591-93X
LA(S.A.E. "B" 2 Bolt	7/8"-13 Spline	328591-44X
LB(S.A.E. "A" Pilot 2 Bolt	7/8"-13 Spline	328591-45X
LC(S.A.E. "B" 2 or 4 Bolt	7/8"-13 Spline	328591-46X
LD(Similar to "XD"	1-1/4" Round	
LF(S.A.E. "B" 2 or 4 Bolt	7/8"-13 Spline	328591-48X
RA	Rotatable S.A.E. "B" 2 Bolt	7/8"-13 Spline	328591-55X
RB	Rotatable S.A.E. "B" 4 Bolt	7/8"-13 Spline	328591-56X
RF	Rotatable S.A.E. "BB" 2 Bolt	1.0"-15 Spline	328591-78X
XE	S.A.E. "A" 2 or 4 Bolt	5/8"-9 Spline	328591-27X
XG	Non-Standard 4 Bolt	3/4" Round	328591-10X
XJ	Non-Standard 4 Bolt	3/4" Round	328591-11X
XK	S.A.E. "B" 2 or 4 Bolt	7/8"-13 Spline	328591-16X
XL	Non-Standard 4 Bolt	7/8"-13 Spline	328591-18X
XO	S.A.E. "A" Pilot 2 Bolt	3/4" Round	328591-26X
XP	S.A.E. "A" Pilot 2 or 4 Bolt	7/8"-13 Spline	328591-23X
XQ1	S.A.E. "B" 2 or 4 Bolt	7/8"-13 Spline	328591-17X
XR	CHELSEA Special 4 Bolt	7/8"-13 Spline	328591-52X
XY	DIN 5462 Pump Mounting	7/8"-13 Spline	

XR to "XK" Conversion Flange 21-P-525

0 Shaft with Grease Fitting

(Lube Pump Option

1 Similar to Ass'y "XK" Flange Rotated 90°



Rear View for Greaseable Options

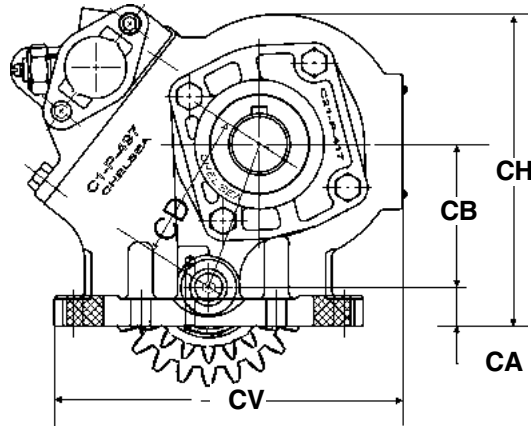
Flange Suffix	Conversion Kit*	Front				Rear Cap for Greaseable Option		
		Flange Assembly	Output Shaft	Socket Head	Oil Seal	Bearing Cap Assy	Socket Head	Oil Seal
AA					329102X	3-P-862		28-P-216
AF	328591-30X	329088X	3-P-854	378447-10	28-P-219			
AK	328591-28X	328989X	3-P-282	378447-8	28-P-216			
AZ	328591-70X	329052X	3-P-844	378447-11	28-P-230			
FF	328591-29X	329088X	3-P-851	378447-10	28-P-219			
GA	328591-72X	329195X	3-P-923X	378447-61	28-P-216	328273X	378430-10	28-P-268
GB	328591-74X	329195X	3-P-923X	378447-61	28-P-216	328273X	378430-10	28-P-268
GF	328591-71X	329088X	3-P-921X	378447-10	28-P-219	328273X	378430-10	28-P-268
GK	328591-89X	328333X	3-P-933X	378447-8	28-P-216	328273X	378430-10	28-P-268
GP	328591-90X	328328X	3-P-933X	378447-8	28-P-216	328273X	378430-10	28-P-268
GQ0	328591-91X	328589X	3-P-933X	378442-8	28-P-216	328273X	378430-10	28-P-268
GR	328591-76X	329194X	3-P-923X	3796738	28-P-216	328273X	378430-10	28-P-268
GY	328591-92X	329234X	3-P-938X	378430-10	28-P-216	328273X	378430-10	28-P-268
GZ	328591-93X	329052X	3-P-939X	378447-11	28-P-230	328273X	378430-10	28-P-268
LA,	328591-44X	328989X	3-P-858	378447-8	28-P-216			
LB,	328591-45X	328328X	3-P-858	378447-8	28-P-216			
LC,	328591-46X	328589X	3-P-858	378447-8	28-P-216			
LD,		328273X	3-P-857	378430-10	28-P-216			
LF,	328591-48X	328333X	3-P-858	378447-8	28-P-216			
RA	328591-55X	329195X	3-P-283	378447-61	28-P-216			
RB	328591-56X	329195X	3-P-283	348447-61	28-P-216			
RF	328591-78X	329264X	3-P-924	378447-61	28-P-219			
XE	328591-27X	329328X	3-P-800	348447-8	28-P-216			
XG	328591-10X	329580X	3-P-281	348447-8	28-P-216			
XJ	328591-11X	329580X	3-P-284	348447-8	28-P-216			
XK	328591-16X	329333X	3-P-282	348447-8	28-P-216			
XL	328591-18X	329580X	3-P-283	348447-8	28-P-216			
XO	328591-26X	329328X	3-P-284	348447-8	28-P-216			
XP	328591-23X	329328X	3-P-282	348447-8	28-P-216			
XQ0	328591-17X	329589X	3-P-282	348447-8	28-P-216			
XR	328591-52X	329194X	3-P-283	3796738	28-P-216			
XY		329234X	3-P-768	378430-10	28-P-230			

* Consists of all the items shown in the illustration, plus Lockring (Item 5) and Bearing Cap Gasket (Item 8)

- 1 Seven required; four to fasten the Flange Assembly 328195X to the housing and three to fasten the rotatable flange to the flange assembly.
- 0 Similar to "XK" Assembly, only rotated 90°
- (Special shoulder stud
- , Lube pump option

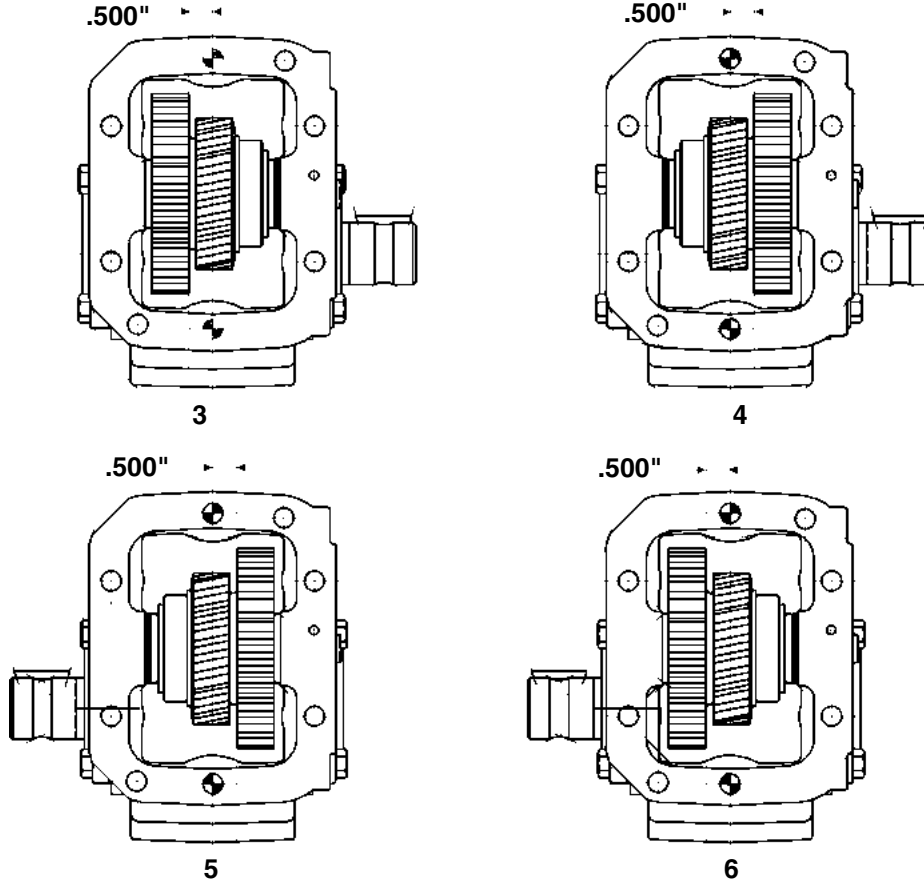
NOTE: To convert P.T.O.'s with AK, XP, XQ, XN, or XK output to the lube pump option, use 329097-1X.
To convert P.T.O.'s with XD output to the lube pump option, use 329096-1X

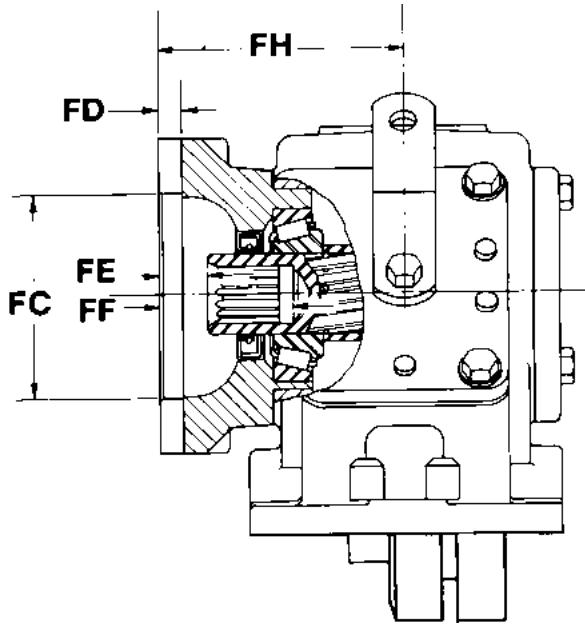
P.T.O. Housing Dimensions



P.T.O. Series	Part Number	CA	CB	CD	CH	CV
441 Standard	1-P-570X	0.793	3.007 (F,H,L,R,S,U) 2.908 (Q,W,X) 2.775 (A,C)	3.317 (F,H,L,R,S,U) 3.087 (Q,W,X) 3.050 (A,C)	6.428	7.000

Assembly Arrangements



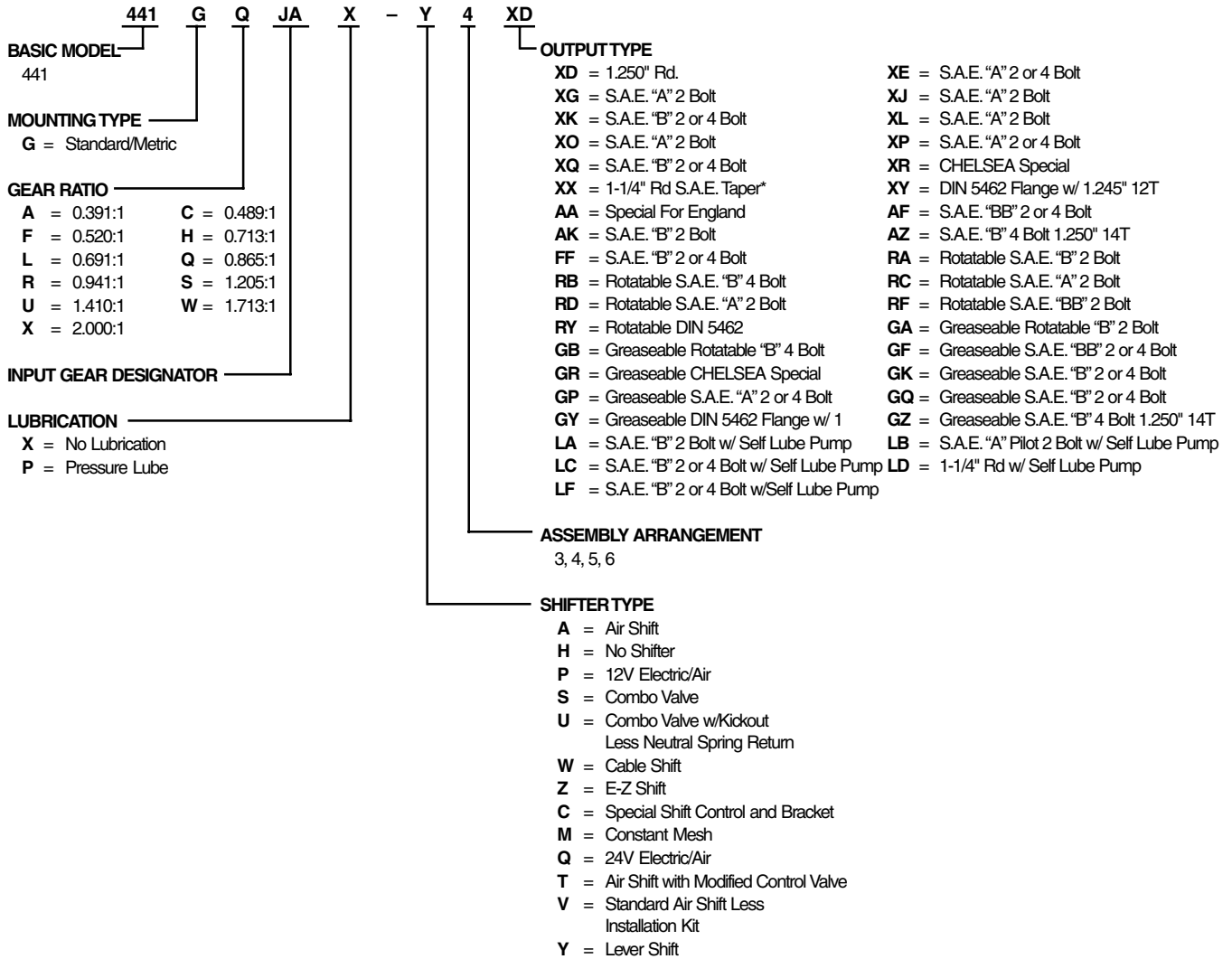


Pump Flange Suffix	Bolt Circle Dia.	BOLT HOLES		FC Female Pilot Diameter	FD Pilot Depth	FE Face to end of Shaft	FF Face thru Hole	FH Face to Center of P.T.O.	OUTPUT SHAFT Hole Dia.	Keyway Width
		Tapped Hole	No. Equally Spaced							
AA	2.834	M10-1.5	6	2.050	N/A	N/A	N/A	3.447	.982/.816 - 6 Spline	
AF, GF	5.750	.500"-13	2	4.003	0.406	0.516	1.984	4.322	1"-15 Spline	
	5.000	.500"-13	4	4.003	0.406	0.516	1.984	4.322		
AK	5.750	.500"-13	2	4.003	0.406	0.562	2.062	3.688	7/8" - 13 Spline	
AZ, GZ	5.000	.500"-13	4	4.003	0.406	0.695	2.392	4.985	1-1/4" - 14 Spline	
FF	5.750	.500"-13	2	4.003	0.406	0.516	1.984	4.322	7/8" Round	1/4"
	5.000	.500"-13	4	4.003	0.406	0.516	1.984	4.322		
RA1 , GA	5.750	.500"-13	20	4.003	0.406	0.558	2.058	4.588	7/8"-13 Spline	
RB1 , GB	5.000	.500"-13	4	4.003	0.406	0.558	2.058	4.588	7/8"-13 Spline	
RC1	4.188	.375"-16	20	3.253	0.270	0.525	1.462	3.694	5/8"-9 Spline	
RD1	4.188	.375"-16	20	3.253	0.270	0.525	1.462	3.694	7/8"-13 Spline	
RF1 , GH	5.750	.500"-13	20	4.003	0.406	0.501	1.969	4.569	1"-15 Spline	
RY1	3.150	M12-1.75	4	3.152	0.394	0.360	2.274	4.79	DIN 5462	
XE	5.000	.500"-13	4	3.253	0.344	0.562	1.500	3.688	5/8"-9 Spline	
XG	4.188	.375"-16	4	3.253	0.562	0.593	2.218	4.562	3/4" Round	3/16"
XJ	4.188	.375"-16	4	3.253	0.562	1.406	2.906	4.562	3/4" Round	3/16"
XK, GK	5.750	.500"-13(2	4.003	0.406	0.562	2.062	3.688	7/8"-13 Spline	
	5.000	.500"-13(4	4.003	0.406	0.562	2.062	3.688		
XL	4.188	.375"-16	4	3.253	0.562	0.562	2.062	4.562	7/8"-13 Spline	
XO	5.000	.500"-13	4	3.253	0.344	0.562	2.062	3.688	3/4" Round	3/16"
	4.188	.375"-16	2	3.253	0.344	0.562	2.062	3.688		
XP, GP	5.000	.500"-13	4	3.253	0.344	0.562	2.062	3.688	7/8"-13 Spline	
	4.188	.375"-16	2	3.253	0.344	0.562	2.062	3.688		
XY, GY	4.454	M12-1.75	4	3.152	0.393	0.594	2.508	4.697	DIN 5462	
XQ, GQ	5.750	.500"-13	2	4.003	0.406	0.562	2.062	3.688	7/8"-13 Spline	
	5.000	.500"-13	4	4.003	0.406	0.562	2.062	3.688		
XR, GR	3.710	.312"-24	4	2.752	0.281	N/A	N/A	2.809	7/8"-13 Spline	

- 1 Rotatable Flange Rotates in 30° Increments
- O Two Set of Holes Spaced 14° Apart
- (Not Tapped

NOTE: To convert an "XR" to an "XK", use conversion flange number 21-P-525.

Model Number Designation



*Customer supplies companion flange (Spicer® part# 3-1-604)

Offer of Sale

The items described in this document and other documents or descriptions provided by Parker Hannifin Corporation, its subsidiaries and its authorized distributors are hereby offered for sale at prices to be established by Parker Hannifin Corporation, its subsidiaries and its authorized distributors. This offer and its acceptance by any customer ("Buyer") shall be governed by all of the following Terms and Conditions. Buyer's order for any such items, when communicated to Parker Hannifin Corporation, its subsidiary or an authorized distributor ("Seller") verbally or in writing, shall constitute acceptance of this offer.

1. Terms and Conditions of Sale: All descriptions, quotations, proposals, offers, acknowledgments, acceptances and sales of Seller's products are subject to and shall be governed exclusively by the terms and conditions stated herein. Buyer's acceptance of any offer to sell is limited to these terms and conditions. Any terms or conditions in addition to, or inconsistent with those stated herein, proposed by Buyer in any acceptance of an offer by Seller, are hereby objected to. No such additional, different or inconsistent terms and conditions shall become part of the contract between Buyer and Seller unless expressly accepted in writing by Seller. Seller's acceptance of any offer to purchase by Buyer is expressly conditional upon Buyer's assent to all the terms and conditions stated herein, including any terms in addition to, or inconsistent with those contained in Buyer's offer. Acceptance of Seller's products shall in all events constitute such assent.

2. Payment: Payment shall be made by Buyer net 30 days from the date of delivery of the items purchased hereunder. Amounts not timely paid shall bear interest at the maximum rate permitted by law for each month or portion thereof that the Buyer is late in making payment. Any claims by Buyer for omissions or shortages in a shipment shall be waived unless Seller receives notice thereof within 30 days after Buyer's receipt of the shipment.

3. Delivery: Unless otherwise provided on the face hereof, delivery shall be made F.O.B. Seller's plant. Regardless of the method of delivery, however, risk of loss shall pass to Buyer upon Seller's delivery to a carrier. Any delivery dates shown are approximate only and Seller shall have no liability for any delays in delivery.

4. Warranty: Seller warrants that the items sold hereunder shall be free from defects in material or workmanship for a period of:

(A) All Power Take-Off units one (1) year from date of installation.

(B) Except 267, 277, 278, 242, 244, 245, 250, 251 and 859 series two (2) years from date of installation. **THIS WARRANTY COMPRISES THE SOLE AND ENTIRE WARRANTY PERTAINING TO ITEMS PROVIDED HEREUNDER. SELLER MAKES NO OTHER WARRANTY, GUARANTEE, OR REPRESENTATION OF ANY KIND WHATSOEVER. ALL OTHER WARRANTIES, INCLUDING BUT NOT LIMITED TO, MERCHANTABILITY AND FITNESS FOR PURPOSE, WHETHER EXPRESS, IMPLIED, OR ARISING BY OPERATION OF LAW, TRADE USAGE, OR COURSE OF DEALING ARE HEREBY DISCLAIMED. NOTWITHSTANDING THE FOREGOING, THERE ARE NO WARRANTIES WHATSOEVER ON ITEMS BUILT OR ACQUIRED WHOLLY OR PARTIALLY, TO BUYER'S DESIGNS OR SPECIFICATIONS.**

5. Limitation Of Remedy: SELLER'S LIABILITY ARISING FROM OR IN ANY WAY CONNECTED WITH THE ITEMS SOLD OR THIS CONTRACT SHALL BE LIMITED EXCLUSIVELY TO REPAIR OR REPLACEMENT OF THE ITEMS SOLD OR REFUND OF THE PURCHASE PRICE PAID BY BUYER, AT SELLER'S SOLE OPTION. IN NO EVENT SHALL SELLER BE LIABLE FOR ANY INCIDENTAL, CONSEQUENTIAL OR SPECIAL DAMAGES OF ANY KIND OR NATURE WHATSOEVER, INCLUDING BUT NOT LIMITED TO LOST PROFITS ARISING FROM OR IN ANY WAY CONNECTED WITH THIS AGREEMENT OR ITEMS SOLD HEREUNDER, WHETHER ALLEGED TO ARISE FROM BREACH OF CONTRACT, EXPRESS OR IMPLIED WARRANTY, OR IN TORT, INCLUDING WITHOUT LIMITATION, NEGLIGENCE, FAILURE TO WARN OR STRICT LIABILITY.

6. Changes, Reschedules and Cancellations: Buyer may request to modify the designs or specifications for the items sold hereunder as well as the quantities and delivery dates thereof, or may request to cancel all or part of this order, however, no such requested modification or cancellation shall become part of the contract between Buyer and Seller unless accepted by Seller in a written amendment to this Agreement. Acceptance of any such requested modification or cancellation shall be at Seller's discretion, and shall be upon such terms and conditions as Seller may require.

7. Special Tooling: A tooling charge may be imposed for any special tooling, including without limitation, dies, fixtures, molds and patterns, acquired to manufacture items sold pursuant to this contract. Such special tooling shall be and remain Seller's property notwithstanding payment of any charges by Buyer. In no event will Buyer acquire any interest in apparatus belonging to Seller which is utilized in the manufacture of the items sold hereunder, even if such apparatus has been specially converted or adapted for such manufacture and notwithstanding any charges paid by Buyer. Unless otherwise agreed, Seller shall

have the right to alter, discard or otherwise dispose of any special tooling or other property in its sole discretion at any time.

8. Buyer's Property: Any designs, tools, patterns, materials, drawings, confidential information or equipment furnished by Buyer or any other items which become Buyer's property, may be considered obsolete and may be destroyed by Seller after two (2) consecutive years have elapsed without Buyer placing an order for the items which are manufactured using such property, Seller shall not be responsible for any loss or damage to such property while it is in Seller's possession or control.

9. Taxes: Unless otherwise indicated on the face hereof, all prices and charges are exclusive of excise, sales, use, property, occupational or like taxes which may be imposed by any taxing authority upon the manufacture, sale or delivery of the items sold hereunder. If any such taxes must be paid by Seller or if Seller is liable for the collection of such tax, the amount thereof shall be in addition to the amounts for the items sold. Buyer agrees to pay all such taxes or to reimburse Seller therefore upon receipt of its invoice. If Buyer claims exemption from any sales, use or other tax imposed by any taxing authority, Buyer shall save Seller harmless from and against any such tax, together with any interest or penalties thereon which may be assessed if the items are held to be taxable.

10. Indemnity For Infringement of Intellectual Property Rights: Seller shall have no liability for infringement of any patents, trademarks, copyrights, trade dress, trade secrets or similar rights except as provided in this Part 10. Seller will defend and indemnify Buyer against allegations of infringement of U.S. Patents, U.S. Trademarks, copyrights, trade dress and trade secrets (hereinafter 'Intellectual Property Rights'). Seller will defend at its expense and will pay the cost of any settlement or damages awarded in an action brought against Buyer based on an allegation that an item sold pursuant to this contract infringes the Intellectual Property Rights of a third party. Seller's obligation to defend and indemnify Buyer is contingent on Buyer notifying Seller within ten (10) days after Buyer becomes aware of such allegations of infringement, and Seller having sole control over the defense of any allegations or actions including all negotiations for settlement or compromise. If an item sold hereunder is subject to a claim that it infringes the Intellectual Property Rights of a third party, Seller may, at its sole expense and option, procure for Buyer the right to continue using said item, replace or modify said item so as to make it noninfringing, or offer to accept return of said item and return the purchase price less a reasonable allowance for depreciation. Notwithstanding the foregoing, Seller shall have no liability for claims of infringement based on information provided by Buyer, or directed to items delivered hereunder for which the designs are specified in whole or part by Buyer, or infringements resulting from the modification, combination or use in a system of any item sold hereunder. The foregoing provisions of this Part 10 shall constitute Seller's sole and exclusive liability and Buyer's sole and exclusive remedy for infringement of Intellectual Property Rights.

If a claim is based on information provided by Buyer or if the design for an item delivered hereunder is specified in whole or in part by Buyer, Buyer shall defend and indemnify Seller for all costs, expenses or judgments resulting from any claim that such item infringes any patent, trademark, copyright, trade dress, trade secret or any similar right.

11. Force Majeure: Seller does not assume the risk of and shall not be liable for delay or failure to perform any of Seller's obligations by reason of circumstances beyond the reasonable control of Seller (hereinafter 'Events of Force Majeure'). Events of Force Majeure shall include without limitation, accidents, acts of God, strikes or labor disputes, acts, laws, rules or regulations of any government or government agency, fires, floods, delays or failures in delivery of carriers or suppliers, shortages of materials and any other cause beyond Seller's control.

12. Entire Agreement/Governing Law: The terms and conditions set forth herein, together with any amendments, modifications and any different terms or conditions expressly accepted by Seller in writing, shall constitute the entire Agreement concerning the items sold, and there are no oral or other representations or agreements which pertain thereto. This Agreement shall be governed in all respects by the law of the State of Ohio. No actions arising out of the sale of the items sold hereunder or this Agreement may be brought by either party more than two (2) years after the cause of action accrues.

9/01-P

For parts or service call us
Pro Gear & Transmission, Inc.



1 (877) 776-4600

(407) 872-1901

parts@eprogear.com

906 W. Gore St.

Orlando, FL 32805

