



**Roadranger®**

More time on the road®

# Illustrated Parts List

---

**FO-8406A-AW3**  
**July 2011**

For parts or service call us  
Pro Gear & Transmission, Inc.



**1 (877) 776-4600**

**(407) 872-1901**

**parts@eprogear.com**

**906 W. Gore St.**

**Orlando, FL 32805**



## **Contents**

<b>How To Use The Illustrated Parts List .....</b>	<b>3</b>
<b>SERVICE PARTS LIST.....</b>	<b>4</b>

## How To Use The Illustrated Parts List

The information contained in this document is subject to frequent updates. Therefore, for the latest information available, please visit the interactive Electronic Parts Catalog at [www.roadranger.com/epc](http://www.roadranger.com/epc).

### Model Designation or Nomenclature

- For information regarding Model Designation and Nomenclature, visit [www.roadranger.com](http://www.roadranger.com).

### Kits and Assemblies (K/A's)

- Kits and Assemblies contain groups of individual or assembled parts developed for optimal replacement or repair of a service problem.
- Kits and Assemblies are shown with applicable parts groupings in the parts listings.

### Identifying Kits and Assemblies

A- Part numbers beginning with the letter 'A' are pre-assembled Production Assemblies

K- Part numbers beginning with the letter 'K' are kits that are not assembled

S- Part numbers beginning with the letter 'S' are pre-assembled Service Assemblies

- Note: Some Production Assemblies do not begin with a letter prefix (Midrange only).

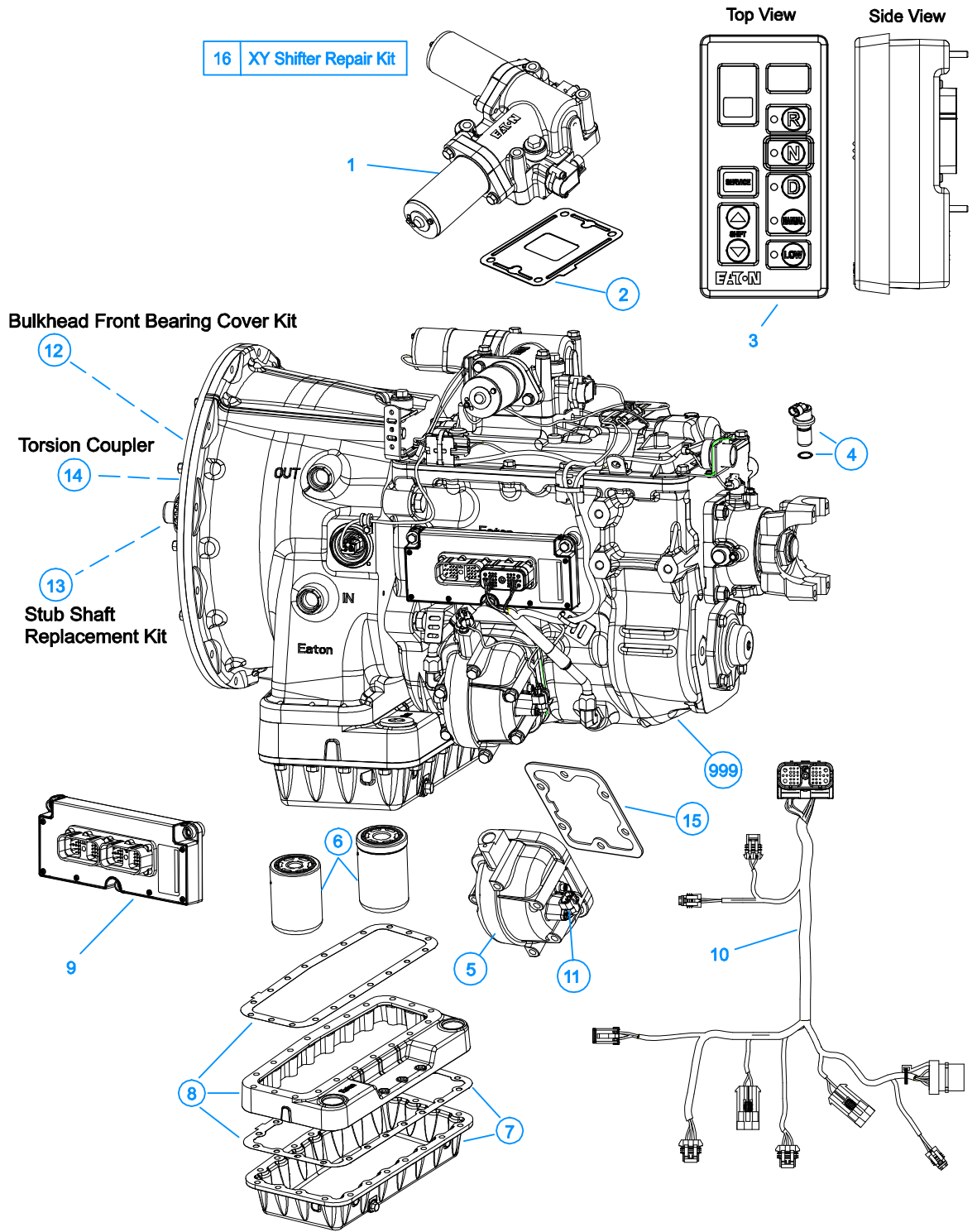
### Illustrations

- Illustrations show parts in assembly groups.
- Item numbers on illustrations correspond with parts listings on pages adjacent to the illustration.
- Notes are included on illustrations where additional information is needed.

### Parts Listing

Parts listings are defined by parts groupings and are broken down by service assemblies. Parts listings identify a part for servicing with the following categories

- **Item Number** - corresponding with numbers on illustrations for part identification.
- **Current Part** - identifies part as it is available for service.
- **Description** - specifies part name or description.
- **Replaced Part** - quantity quantity required for assembly.
- **Quantity** - defines unique characteristics or requirements.
- **Notes** - indicates Kits or Assemblies that contain a particular part.
- **Kits/Assy's Where Used**



00501-07-05

○ — Indicates part of item 999

### SERVICE PARTS LIST

Item	Current Part	Description	Replaced Part	Qty.	Notes	Kits/Assys Where Needed
1	K-3784RX	REMAN EXCH GEN 3 X-Y SHIFTER KIT	A - 7670, A - 7856, K-3784	1		
2	4305452	GASKET	4301958	1		K-4009
3	4306043	PUSHBUTTON ASSY	S-3007	1		
4	K-3231	SPEED SENSOR KIT	A - 6398 ,A - 6724	1	SINGLE PICK-UP (2 PIN)	

Item	Current Part	Description	Replaced Part	Qty.	Notes	Kits/Assys Where Needed
5	K-3648	INERTIA BRAKE KIT	A - 7434 ,K - 3508, A-7828	1		
6	K-3498	OIL FILTER KIT	4305476 ,4305783	1		
7	K-3610	OIL PAN REPLACEMENT KIT	691888	1		
8	K-3611	SPACER REPLACEMENT KIT	691886	1		
9	K-3709	TRANS CONTROLLER KIT		1		
10	K-3743	TRANS HARNESS KIT	4306024	1		
11	K-3638	I-BRAKE CONNECTOR KIT	691499	1		
12	K-3765	BULKHEAD FRONT BRG COVER KIT		1		K-3858
13	K-3858	STUB SHAFT REPLACEMENT KIT		1		
14	125678	TORSION COUPLER		1	THIS ITEM INCLUDES K-3765	
15	4305309	GASKET		2		K-3648
16	K-4009	XY SHIFTER REPAIR KIT		1		
999	TN-C35-01R	FO-8406A-AW3 REMAN SERVICE UNIT	TA-C35-01	1		

For parts or service call us  
Pro Gear & Transmission, Inc.



**1 (877) 776-4600**

**(407) 872-1901**

**parts@eprogear.com**

**906 W. Gore St.**

**Orlando, FL 32805**

