



Roadranger®

More time on the road®

Illustrated Parts List

RTX-11709H
July 2011

For parts or service call us
Pro Gear & Transmission, Inc.



1 (877) 776-4600

(407) 872-1901

parts@eprogear.com

906 W. Gore St.

Orlando, FL 32805



Contents

How To Use The Illustrated Parts List	3
AUXILIARY DRIVE GEAR.....	4
CASE (AUX)	5
CASE (FRONT)	7
COUNTERSHAFT & BRGS(AUX).....	9
COUNTERSHAFT ASSY.....	10
FILTER REGULATOR.....	11
H & C W/19470 VALVE.....	12
H & C W/A-5000 VALVE.....	13
INPUT SHAFT & DRIVE GEAR.....	14
INTEGRAL OIL PUMP	15
ISOLATORS.....	17
KITS & ASSEMBLIES.....	18
LEVERS/HOUSINGS	20
MAINSHAFT & SYNCHRO(AUX).....	22
MAINSHAFT ASSY.....	23
MISCELLANEOUS	25
NON-SELECTIVE M/S ASSY	26
OIL COOLER.....	27
RANGE CYLINDER.....	28
REVERSE IDLER.....	29
ROADRANGER VALVE	32
SHIFT BAR HOUSING	33
SLAVE VALVE - 19470.....	35
SLAVE VALVE - A-5000.....	36

How To Use The Illustrated Parts List

The information contained in this document is subject to frequent updates. Therefore, for the latest information available, please visit the interactive Electronic Parts Catalog at www.roadranger.com/epc.

Model Designation or Nomenclature

- For information regarding Model Designation and Nomenclature, visit www.roadranger.com.

Kits and Assemblies (K/A's)

- Kits and Assemblies contain groups of individual or assembled parts developed for optimal replacement or repair of a service problem.
- Kits and Assemblies are shown with applicable parts groupings in the parts listings.

Identifying Kits and Assemblies

A- Part numbers beginning with the letter 'A' are pre-assembled Production Assemblies

K- Part numbers beginning with the letter 'K' are kits that are not assembled

S- Part numbers beginning with the letter 'S' are pre-assembled Service Assemblies

- Note: Some Production Assemblies do not begin with a letter prefix (Midrange only).

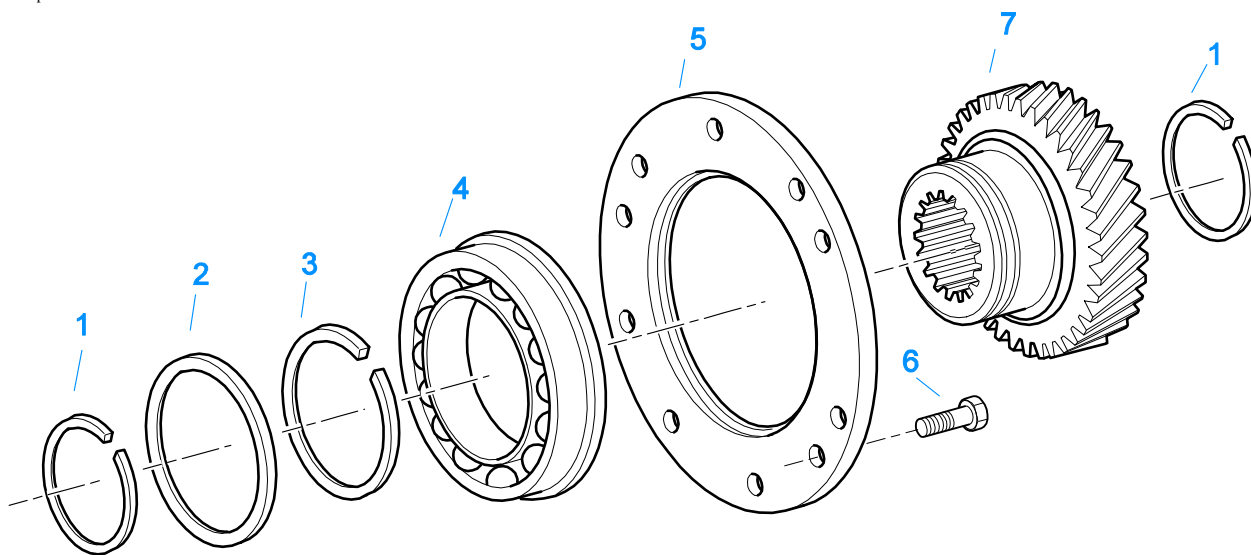
Illustrations

- Illustrations show parts in assembly groups.
- Item numbers on illustrations correspond with parts listings on pages adjacent to the illustration.
- Notes are included on illustrations where additional information is needed.

Parts Listing

Parts listings are defined by parts groupings and are broken down by service assemblies. Parts listings identify a part for servicing with the following categories

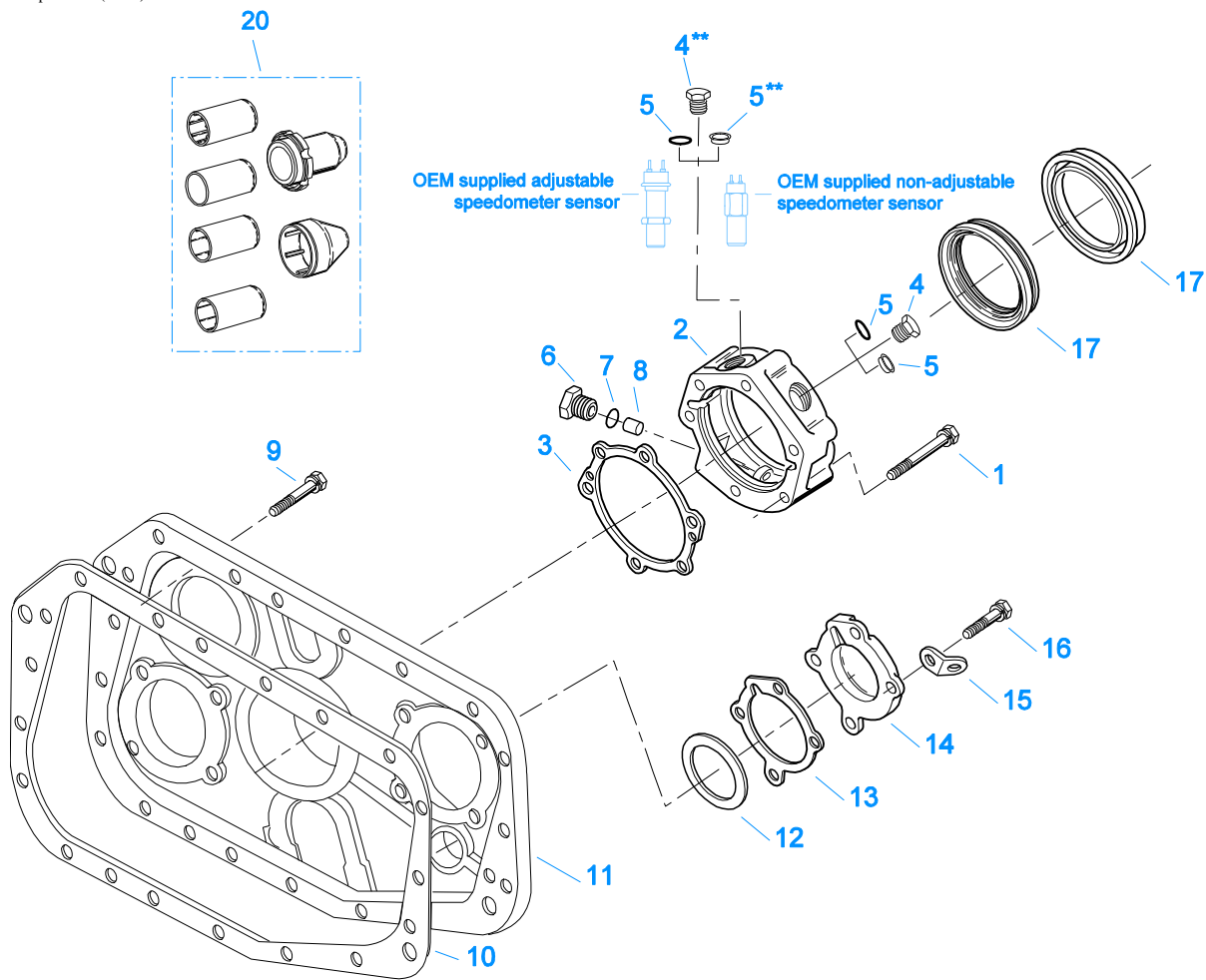
- **Item Number** - corresponding with numbers on illustrations for part identification.
- **Current Part** - identifies part as it is available for service.
- **Description** - specifies part name or description.
- **Replaced Part** - quantity quantity required for assembly.
- **Quantity** - defines unique characteristics or requirements.
- **Notes** - indicates Kits or Assemblies that contain a particular part.
- **Kits/Assy's Where Used**



10480-12/92 Aux DG

AUXILIARY DRIVE GEAR

Item	Current Part	Description	Replaced Part	Qty.	Notes	Kits/Assys Where Needed
1	16763	SNAP RING		2		K-1996,K-2049,K-2284,K-2410,K-2763,K-3159,K-3166
2	21320	SNAP RING RETAINER		1		K-2284,K-2410,K-2763
3	16628	SNAP RING		1		K-2410
4	5566507-BOX	BEARING	5566504,5566507	1		K-1996,K-2049,K-2284,K-2763
5	16138	BEARING RETAINER		1		
6	X-8-645	CAPSCREW	X 8 612	6	3/8"-16X1"	
7	23159	AUXILIARY DRIVE GEAR	21321	1		



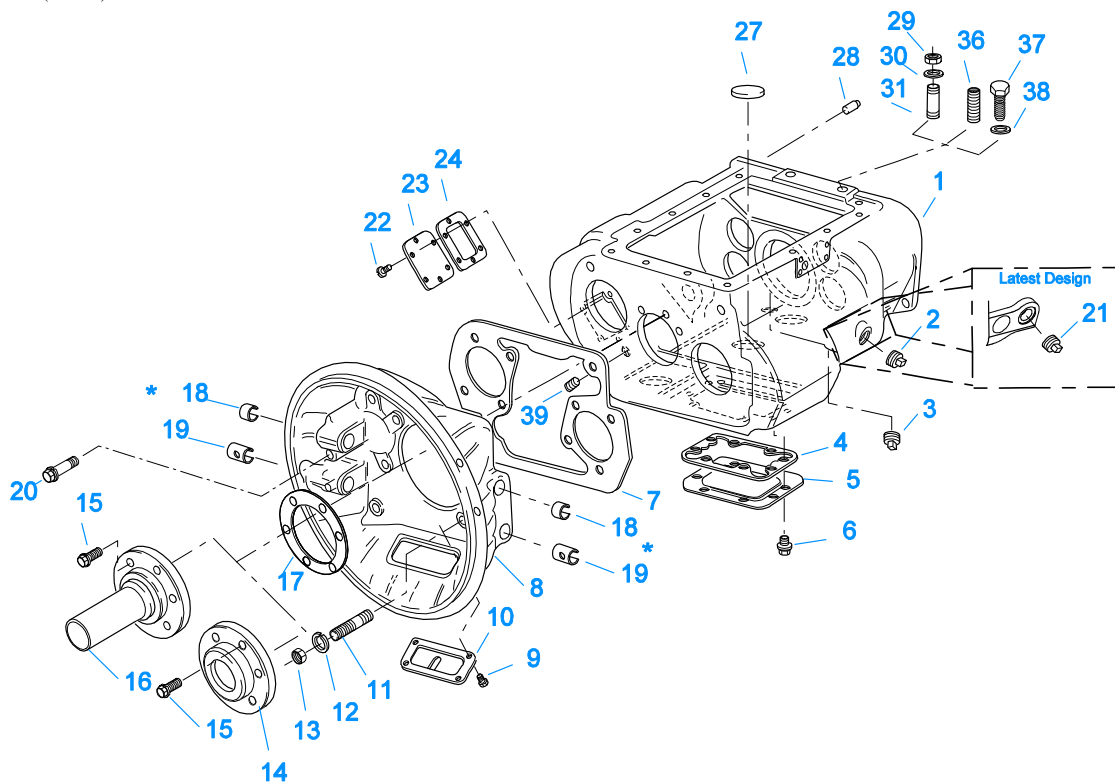
11401-3-98 Aux Case

**** Note — Items 4 & 5 / Magnetic Speedometer Openings:**
 Use 13679 "O" ring w/ OEM supplied adjustable speedometer sensor
 and 20225 "O" ring w/ OEM supplied non-adjustable speedometer sensor or Eaton part #20224 Plug

CASE (AUX)

Item	Current Part	Description	Replaced Part	Qty.	Notes	Kits/Assys Where Needed
1	X-8L-605	CAPSCREW		6	3/8"-16X3"	
2	S-2106	REAR BRG COVER ASSY	22732 ,23368 ,4302025 ,S - 1552	1		
3	21364	GASKET		1		K-2061,K-2262,S-2106
4	20224	PLUG-MAGNETIC		2		S-2106
5	13679	-O- RING		1	USE W/OEM SUPPLIED ADJUSTABLE SPEEDOMETER SENSOR NOT TO BE USED WITH 4301954 SEAL	
5	20225	-O- RING		2	USE W/20224 PLUG OR OEM SUPPLIED NON-ADJUSTABLE SPEEDOMETER SENSOR NOT TO BE USED WITH 4301954 SEAL O-RING NOT REQUIRED	
5	4301954	SENSOR SEAL		2		S-2106
6	20226	PLUG-MECHANICAL	2237	1		S-2106
7	14142	-O- RING		1		S-2106
8	7992	BUSHING		1		S-2106
9	X-8L-602	CAPSCREW		16	3/8"-16X1-1/2"	
9	X-8L-614	CAPSCREW		2	3/8"-16X2"	
9	X-8L-616	CAPSCREW	X 8 616	1	3/8"-16X2-3/4"	
10	14335	GASKET		1		K-2061
11	22900	REAR HOUSING		1		
12	K-2805	SHIM KIT	21452 K - 2106	1		K-1996,K-2049,K-2284,K-2763

Item	Current Part	Description	Replaced Part	Qty.	Notes	Kits/Assys Where Needed
13	4305978	GASKET	4302246	2		K-2061
14	4302320	COVER	21346	2		
15	20815	LIFTING EYE	17105	2		
16	X-8L-600	CAPSCREW		6	3/8"-16X1"	
16	X-8L-604	CAPSCREW		2	3/8"-16X1-1/4" USE W/LIFTING EYES	
17	K-2262	OIL SEAL W/SLINGER	19109 20807 20808	1	"FOR MECHANICAL COVER"	K-1996,K-2049,K-2284,K-2763
20	K-3651	OIL SEAL TOOL KIT		1		



10300-6-92 Iron/Alum Hsg

* Bushing quantity requirements: #1 Housing – Upper bore use 4 #12815 / Lower bore use 2 #8677.

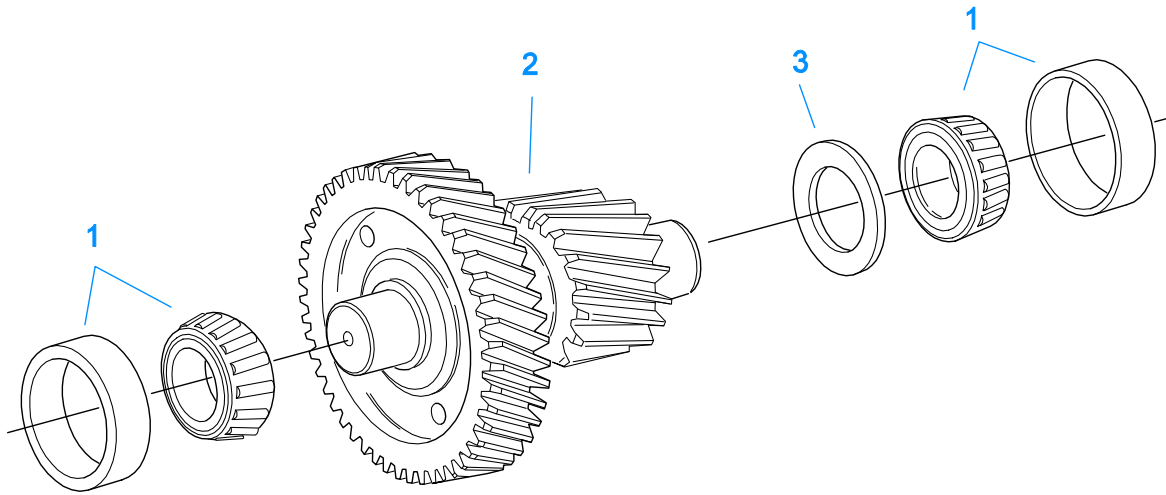
#2 Housing – Upper bore use 2 #12815 and 1 #8677 / Lower bore use 2 #8677.

Note: Some part requirements are specific to #1 or #2 Aluminum or Iron Clutch Housings and Push or Pull type Clutch.

CASE (FRONT)

Item	Current Part	Description	Replaced Part	Qty.	Notes	Kits/Assys Where Needed
1	S-1736	CASE ASSY	23654	1		
1	S-1826	CASE ASSY	23650	1	FOR USE W/INTEGRAL PUMP	
2	X-12-2007	PIPE PLUG	X12 2006	1		
3	X-12-1207	PIPE PLUG	X12 1202 ,X12 1206	1	3/4" MAGNETIC	
4	4305310	GASKET	4302810	1		K-2061
5	4302809	PTO COVER	16596 ,4300571	1		
6	X-8-725	CAPSCREW	X 8 724	8	7/16"-14X7/8"	
7	4306584	CLUTCH HOUSING GASKET	4304815,4305668	1		K-2061
8	A-3713	CLUTCH HOUSING ASSY	A - 3700	1	#1 PUSH-PULL IRON	
8	A-3723	CLUTCH HOUSING ASSY	A - 3721 ,A - 3722	1	#2 PUSH-PULL IRON	
8	A-4772	CLUTCH HOUSING ASSY	A - 4344 ,A - 4771	1	#2 PUSH-PULL ALUM.	
8	A-6064	CLUTCH HOUSING ASSY	A - 4342 ,A - 4770 ,A - 6062 ,A - 6063 ,A - 6065	1	#1 PUSH-PULL ALUM.	
9	239614	SCREW	X-8L-509	4	5/16-18X.81 QUANTITY DEPENDENT ON DESIGN	
10	14506	HAND HOLE COVER		1	#2 PUSH	
10	14507	HAND HOLE COVER		1	#2 PULL	
10	4305230	HAND HOLE COVER	11453	1	#1 PULL	
10	4305231	HAND HOLE COVER	1565	1	#1 PUSH	
11	4306583	STUD	5966	6		
12	X-10-1005	WASHER	X 3 1000 ,X10 1000 ,X10 1004	6	1.23 X 6.60	
13	X-1-1012	HEX NUT	X-1-1005	6	.625-18	
14	20550	FRONT BEARING COVER		1	2" PULL	K-2468,K-4125
15	X-8L-604	CAPSCREW		6	3/8"-16X1-1/4"	
16	20549	FRONT BEARING COVER		1	2" PUSH	
17	14311	GASKET		1		K-2061
18	12815	BUSHING		4	FOR #1 HOUSING UPPER	A-3713,A-3723,A-4772,A-6064,K-2468

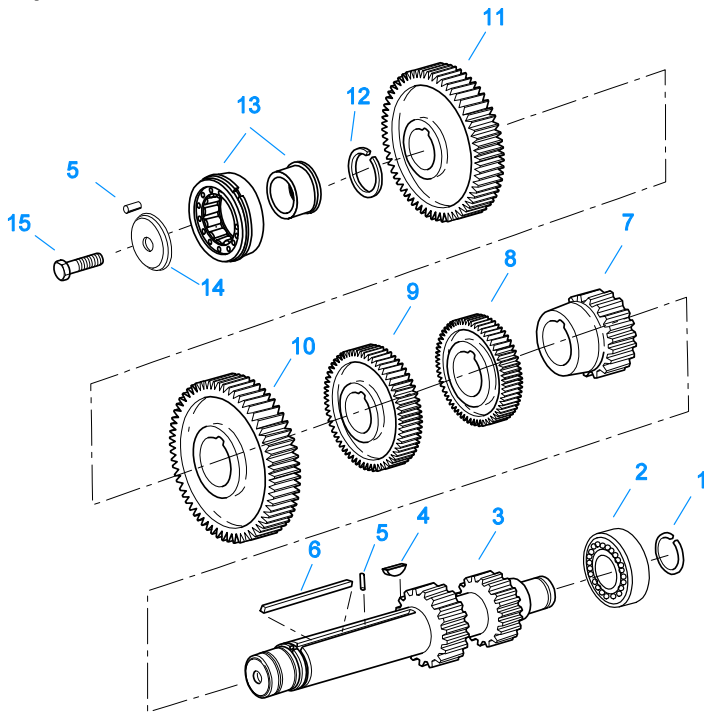
Item	Current Part	Description	Replaced Part	Qty.	Notes	Kits/Assys Where Needed
18	12815	BUSHING		2	FOR #2 HOUSING UPPER	A-3713,A-3723,A-4772,A-6064,K-2468
18	8677	BUSHING		1	FOR #2 HOUSING UPPER	A-3713,A-3723,A-4772,A-6064
19	8677	BUSHING		2	FOR #1 AND #2 HOUSING LOWER	A-3713,A-3723,A-4772,A-6064
20	X-8C-830	HEX HEAD SCREW/WASHER ASSY	X-8C-826	4	.500-13 X 1.490, USE 2 PCS FOR IRON HOUSING, USE 4 PCS FOR ALUMINUM HOUSING	
20	X-8C-831	HEX HEAD SCREW/WASHER ASSY	X-8C-822	2	.500-13 X 3.460, FOR IRON HOUSING	
21	4304023	PLUG	4303747	1	1-1/16" MAGNETIC, O-RING INCLUDED	S-1549,S-1736,S-1826
22	X-8-686	CAPSCREW		6	3/8"-16X3/4"	
23	14575	PTO COVER	4302254	1		
24	4305309	GASKET	1684	1		K-2061
27	14373	MAGNET		3		S-1549,S-1736,S-1826
28	18128	PIN		2		
29	X-1-1012	HEX NUT		2	.625-18	
30	X-10-1005	WASHER	X 3 1000 ,X10 1000 ,X10 1004	2	1.23 X 6.60	
31	14554	STUD	1632 ,6579	2	5/8" X 2-3/16"	
36	23104	PLUG	1712	2		
37	X-8-1005	CAPSCREW		2	5/8"-11X1-1/4"	
38	20814	SPACER		2		
39	X-12-802	PIPE PLUG	X12 800	1	1/2"	



10440-1/92 Aux CS Helical

COUNTERSHAFT & BRGS(AUX)

Item	Current Part	Description	Replaced Part	Qty.	Notes	Kits/Assys Where Needed
1	4302074-BOX	BEARING	21343,4302074	4		K-1996,K-2049,K-2284,K-2763
2	A-5669	WELDED COUNTERSHAFT ASSY	A - 5667 ,A - 5668	2	C/S 4300037 - D/G 23160	
3	22903	SPACER		2		K-2410



10341-1/92 CS/RT

COUNTERSHAFT ASSY

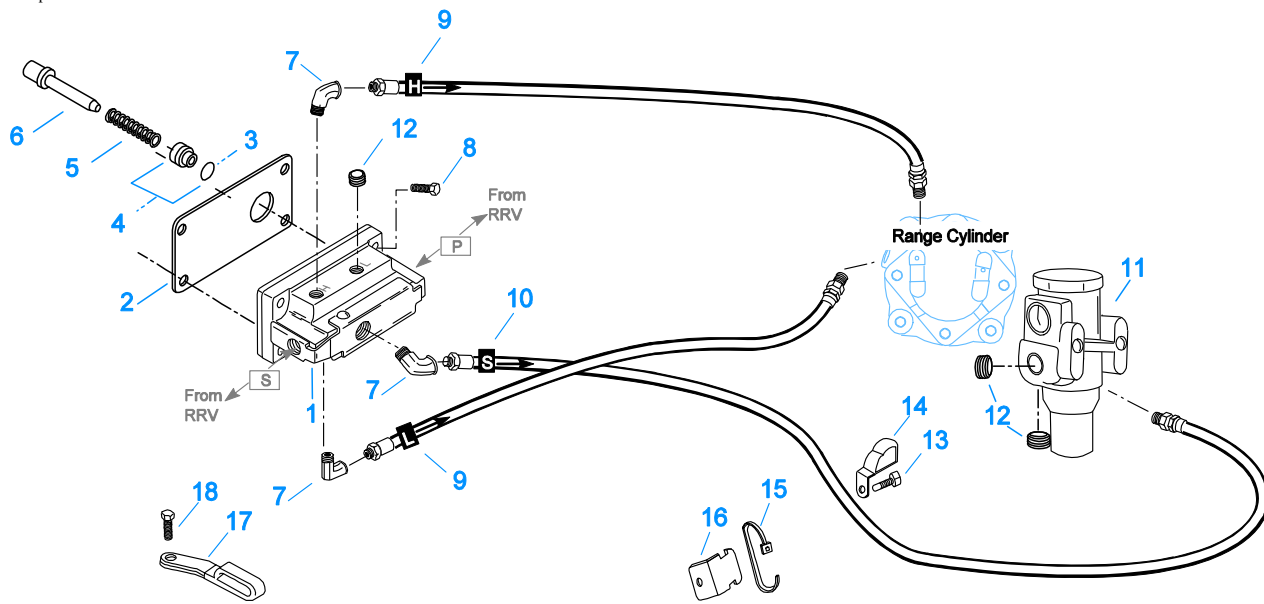
Item	Current Part	Description	Replaced Part	Qty.	Notes	Kits/Assys Where Needed
1	14317	SNAP RING		2		K-1996,K-2049,K-2284,K-2410,K-2763
2	14366	BEARING		2		K-1996,K-2049,K-2284,K-2763
3	K-2958	CNTRSHFT-W/REV & LO	4300032 ,4300243	2		
4	X-6-E	KEY		2		
5	62511	ROLL PIN		4		
6	4304840	KEY	19673	2		
7	21025	1ST GEAR-CNTRSHFT	19629	2		
8	21264	2ND GEAR-CNTRSHFT	19623	2		
9	21262	OD GEAR-CNTRSHFT	19639 ,21027	2		
10	15953	PTO GEAR - LOWER		1		
10	20840	PTO GEAR - UPPER		1		
11	4305665	DRIVE GEAR-CNTRSHFT	21018,4305069	2		
12	19198	SNAP RING		2		
13	4304599	BEARING	4302677 4304598	2		K-2284,K-2763
14	4304605	RETAINER	19548	2	ROLL PIN NO LONGER REQUIRED	K-2284
15	X-7-1005	CAPSCREW		2	5/8"-18X1-3/4"	

Group: FILTER REGULATOR



FILTER REGULATOR

Item	Current Part	Description	Replaced Part	Qty.	Notes	Kits/Assys Where Needed
1	A-4740	FILTER/REGULATOR	19600	1		
2	K-1698	-O- RING/ELEMENT KIT		1	FOR FILTER REGULATOR	
3	X-8C-412	CAPSCREW	X 8S 412	2	1/4"-20X2-1/4"	

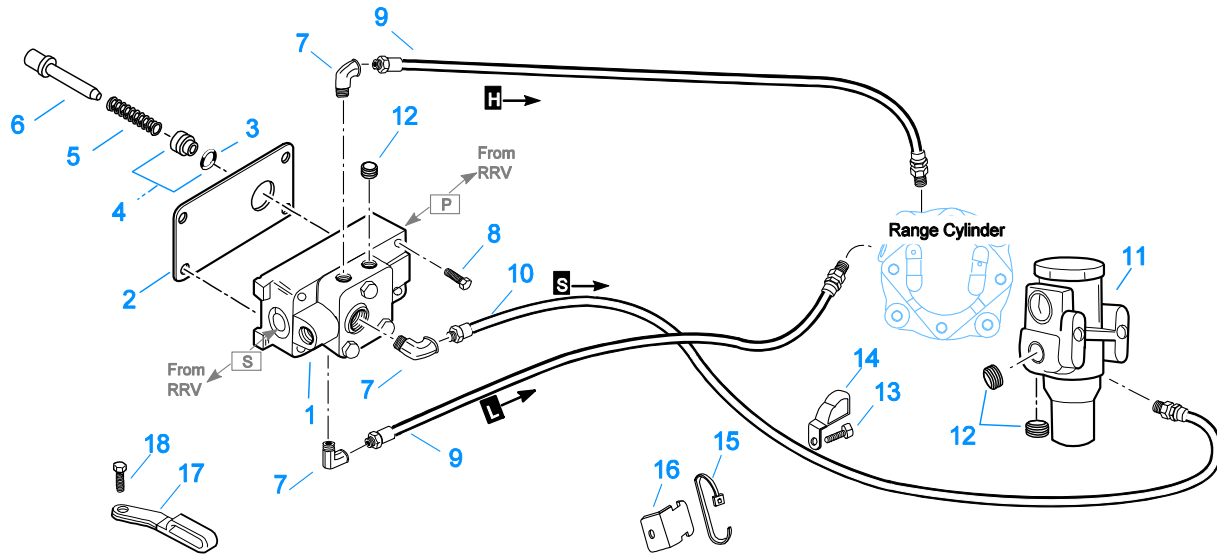


10111-1/92 19470 HC

H & C W/19470 VALVE

Item	Current Part	Description	Replaced Part	Qty.	Notes	Kits/Assys Where Needed
1	K-2424	VALVE REPLACEMENT KIT	19470	1		
2	19481	GASKET		1		K-2061,K-2424
3	19462	-O- RING	14033	1		K-1969
4	K-1969	SLEEVE KIT	14362 ,19460 ,21446	1	FOR SLAVE VALVES	
5	21268	SPRING	19572	1		
6	20490	PIN	19459	1		
7	12845	ELBOW		3	1/8"	
8	X-8C-401	CAPSCREW		4	1/4"-20X1-1/8"	
9	55508	HOSE ASSY		2	30"	
10	55518	HOSE ASSY		1	32"	
11	A-4740	FILTER/REGULATOR	19600	1		
12	X-12-208	PIPE PLUG		3	1/8" NPT	
13	X-8L-600	CAPSCREW		1	3/8"-16X1"	
14	21427	HOSE CLAMP		1		
15	21425	STRAP		1		
16	21426	BRACKET		1		
17	21428	HOSE CLAMP		1		
18	X-8L-604	CAPSCREW		1	3/8"-16X1-1/4"	

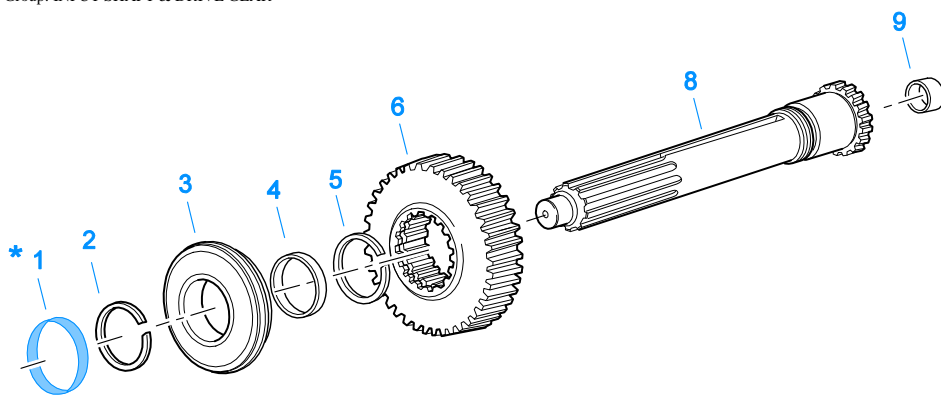
Group: H & C W/A-5000 VALVE



10110-1/92 A-5000 HC

H & C W/A-5000 VALVE

Item	Current Part	Description	Replaced Part	Qty.	Notes	Kits/Assys Where Needed
1	A-5000	SLAVE VALVE ASSY	20850	1		K-2424
2	19481	GASKET		1		K-2061,K-2424
3	19462	-O- RING	14033	1		K-1969
4	K-1969	SLEEVE KIT	14362 ,19460 ,21446	1	FOR SLAVE VALVES	
5	21268	SPRING	19572	1		
6	20490	PIN	19459	1		
7	12845	ELBOW		3	1/8"	
8	X-8C-411	CAPSCREW		4	1/4"-20X1-3/4"	
9	55508	HOSE ASSY		2	30"	
10	55518	HOSE ASSY		1	32"	
11	A-4740	FILTER/REGULATOR	19600	1		
12	X-12-208	PIPE PLUG		3	1/8" NPT	
13	X-8L-600	CAPSCREW		1	3/8"-16X1"	
14	21427	HOSE CLAMP		1		
15	21425	STRAP		1		
16	21426	BRACKET		1		
17	21428	HOSE CLAMP		1		
18	X-8L-604	CAPSCREW		1	3/8"-16X1-1/4"	



* For Shipping Only -- Do Not Replace

*

10370-1/92 IS

INPUT SHAFT & DRIVE GEAR

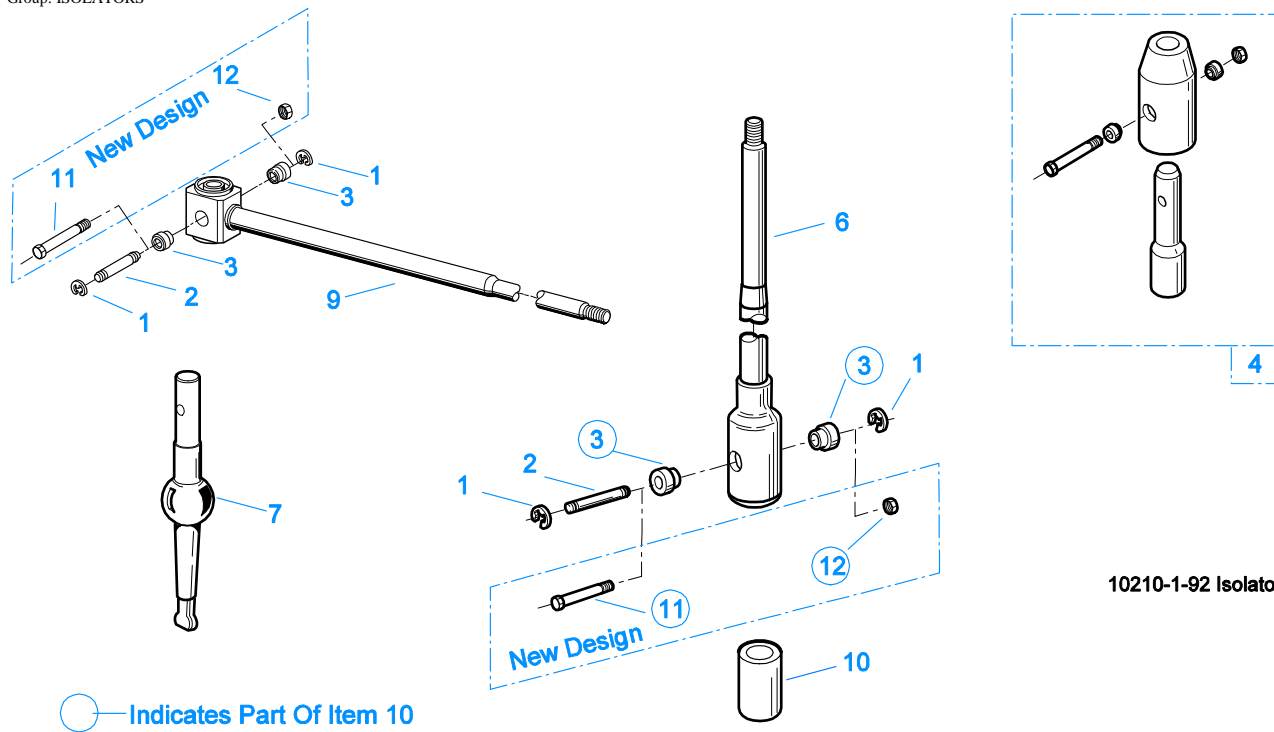
Item	Current Part	Description	Replaced Part	Qty.	Notes	Kits/Assys Where Needed
1	23559	SHIPPING SEAL		1	NOT SOLD FOR SERVICE	
2	16980	SNAP RING		1		K-1996,K-2049,K-2284,K-2410,K-2468,K-2763,K-4125
3	81504	BEARING		1		K-1996,K-2049,K-2284,K-2468,K-2763,K-4125
4	16463	SPACER		1		
5	14750	SNAP RING		1		K-1996,K-2049,K-2284,K-2410,K-2468,K-2763,K-4125
6	22961	MAIN DRIVE GEAR	22959	1		
8	S-1659	INPUT SHAFT	23566	1	2" PULL	K-1996,K-2468,K-2763,K-4125
8	S-1660	INPUT SHAFT	23567	1	2" PUSH	
9	16566	BUSHING		1		K-2049,K-2284,S-1659,S-1660



INTEGRAL OIL PUMP

Item	Current Part	Description	Replaced Part	Qty.	Notes	Kits/Assys Where Needed
1	X-8C-409	CAPSCREW		5	1/4"-20X5/8" - USE WITH 4300751 COVER	
1	X-8C-430	CAPSCREW		5	1/4"-20X7/8" - USE WITH 20513 COVER	
2	K-2402	COVER & SCREW KIT	20513 ,4300751	1		K-2061,K-2402
3	20514	GASKET		1		
4	20823	PLUG		1		
5	14765	-O- RING		1		K-1431,K-1450
6	X-8-448	SCREW	X 8 445	3	1/4"-20X1-1/4"	
7	20824	WASHER		3		K-3367
8	20825	DOWEL PIN		1		
9	4303107	RETAINER	20510	1		S-1826
10	K-3367	OIL PUMP KIT	4301829 ,4301948 ,4303776 ,4304529 ,4304572 A - 6963 ,A - 7173	1		
11	20518	CRESCENT RING		1		
12	62516	ROLL PIN	62521	1		
13	62514	ROLL PIN		1		
14	K-3367	OIL PUMP KIT	4301829 ,4301948 ,4303776 ,4304529 ,4304572 A - 6963 ,A - 7173	1		
15	X-14-700	STEEL BALL		1	7/16"	
17	20225	-O- RING		1		
18	4305713	SUCTION TUBE	4304628	1	O-RING INCLUDED ON SUCTION TUBE	K-3367
19	20508	DRIVE SHAFT		1		
20	20509	KEY		2		
21	14853	SNAP RING		2		
22	20511	DRIVE GEAR		1		
23	4306584	CLUTCH HOUSING GASKET	4304815,4305668	1		K-2061
24	S-1826	CASE ASSY	23650	1	FOR USE W/INTEGRAL PUMP	
25	14373	MAGNET ELEMENT		3		S-1549,S-1736,S-1826
26	20507	ELEMENT		1		
27	K-3367	OIL PUMP KIT	4301829 ,4301948 ,4303776 ,4304529 ,4304572 A - 6963 ,A -	1		

Item	Current Part	Description	Replaced Part	Qty.	Notes	Kits/Assys Where Needed
999	K-3367	OIL PUMP KIT	7173 4301829 ,4301948 .4303776 ,4304529 .4304572 A - 6963 ,A - 7173	1		



10210-1-92 Isolator

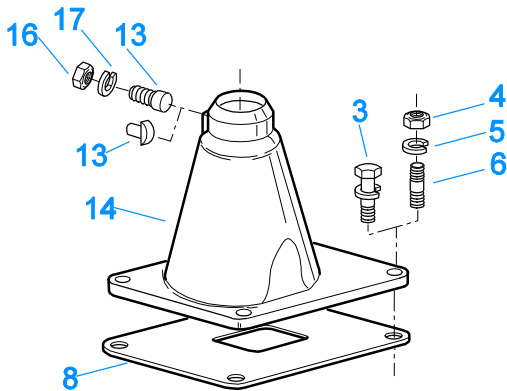
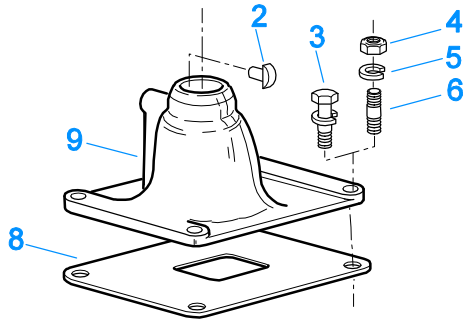
ISOLATORS

Item	Current Part	Description	Replaced Part	Qty.	Notes	Kits/Assys Where Needed
1	19124	-E- RING		2		
2	K-3467	PIN REPLACEMENT KIT	21245	1		
3	21246	BUSHING		2		K-2003,K-2428,K-2429,K-2978,K-3399,S-2129,S-2130,S-2519
4	S-1794	ISOLATOR ASSY		1		
6	21247	LEVER		1	STRAIGHT 18.67"	
7	21235	STUB LEVER		1	LOW TOWER	K-2428,S-1677
7	21236	STUB LEVER		1	HIGH TOWER	K-2429,S-1579,S-2130
7	4301168	STUB LEVER		1	MID TOWER	K-2978
9	21767	90 DEG LEVER		1	STRAIGHT 33"	
10	K-3399	ISOLATOR BUSHING KIT	21244 ,23311	1		
11	X-8-560	SCREW		1		
12	X-9-503	NUT		1		

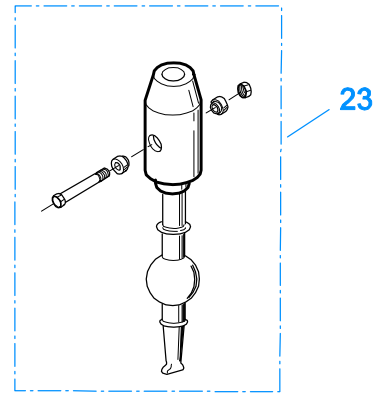
KITS & ASSEMBLIES

Item	Current Part	Description	Replaced Part	Qty.	Notes	Kits/Assys Where Needed
K-1431		RANGE CYL-KIT		1		
K-1450		-O- RING KIT-RANGE		1		K-1996,K-2049
K-1476		SHIFT LEVER HSG	4530 ,17163 ,18298 ,4304905 ,A - 4437	1	LOW TOWER	
K-1698		-O- RING/ELEMENT KIT		1	FOR FILTER REGULATOR	
K-1921		MASTER VALVE REPAIR KIT		1	FOR A-6909 & A-5010 VALVES	
K-1935		REPAIR KIT-SLAVE VALVE		1	FOR A-5000 VALVE	
K-1956		COOLER INSTLN KIT		1		
K-1969		SLEEVE KIT	14362 ,19460 ,21446	1	FOR SLAVE VALVES	
K-1996		BASIC OVERHAUL KIT		1	FOR RT MODELS	
K-2003		PIN & BUSHING KIT		1		
K-2049		BASIC REBUILD KIT		1	FOR RT MODELS	
K-2061		GASKET KIT		1		K-1996,K-2049,K-2284,K-2763
K-2262		OIL SEAL W/SLINGER	19109 20807 20808	1	"FOR MECHANICAL COVER"	K-1996,K-2049,K-2284,K-2763
K-2284		BASIC REBUILD KIT		1	FOR RTO/RTX MODELS	
K-2366		KEY & WASHER KIT	21326 ,4300763 ,4304614	1	CONTAINS 3-SIDED KEY	
K-2394		AIR SYSTEMS TOOL KIT		1		
K-2410		SMALL PARTS KIT		1		
K-2468		CLUTCH INSTALLATION KIT		1	FOR USE WITH S-1659 INPUT SHAFT ASSY AND 81504 INPUT SHAFT BEARING	
K-2763		BASIC OVERHAUL KIT		1	FOR RTO/RTX MODELS	
K-2805		SHIM KIT	21452 K - 2106	1		K-1996,K-2049,K-2284,K-2763
K-2934		COUNTERSHAFT REPL KIT	19549	1		
K-2958		COUNTERSHAFT REPL KIT	4300032 ,4300243	1		
K-2966		RETAINER KIT	19668 ,A - 4729	1		
K-2973		SHIFT LEVER HSG KIT	17166 ,17167 ,4303050 ,4304910 ,K - 1630 K - 1941	1	HIGH TOWER	
K-2977		SHIFT LEVER HSG KIT	4301167 ,4304907 ,A - 6040	1	MID TOWER	
K-2978		LEVER REPLACEMENT KIT		1	MID TOWER	
K-3159		WASHER UPDATE KIT		1	RT/F-13709H	
K-3166		WASHER UPDATE KIT		1	RTX/F-13709H	
K-3209		IDLER SHAFT REPL KIT	16405 ,4302981 ,4305513	1		
K-3367		OIL PUMP KIT	4301829 ,4301948 ,4303776 ,4304529 ,4304572 A - 6963 ,A - 7173	1		
K-3399		ISOLATOR BUSHING KIT	21244 ,23311	1		
K-3467		PIN REPLACEMENT KIT	21245	1		
K-3492		SYNCHRONIZER KIT	K - 2446	1		
K-3494		SYNCHRONIZER REPLACEMENT KIT	K - 2448	1	SLIDING CLUTCH INCLUDED IN KIT	
K-3651		OIL SEAL TOOL KIT		1		
K-4125		CLUTCH INSTALLATION KIT (RT), HYDRAULIC RELEASE		1	STANDARD RT INPUT SHAFT AND YOKE FOR HYDRAULIC CLUTCH RELEASE	
S-1219		YOKE ASSY LOW-REV		1		
S-1404		OIL FILTER	17238	1		
S-1440		SHIFT BAR HSG (STD)	20211 ,22955	1	HOUSING ONLY	
S-1441		SHIFT BAR HSG (F)	20213 ,22956	1	HOUSING ONLY	
S-1445		SHIFT BAR HSG (X)	18920 ,20135 ,20214 ,20215 ,20487 21135 ,4302452	1	HOUSING ONLY (X)	
S-1446		SHIFT BAR HSG (XF)	20217 ,21136	1	HOUSING ONLY (XF)	
S-1516		CAP ASSY	20851 ,20853	1		
S-1527		SHIFT BAR HSG ASSY (X)	20215 ,21135 ,4302452	1	COMPLETE (X)	

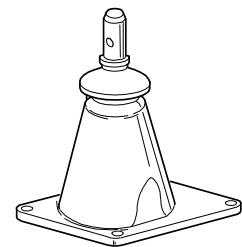
Item	Current Part	Description	Replaced Part	Qty.	Notes	Kits/Assys Where Needed
S-1528		SHIFT BAR HSG ASSY (XF)	20217 ,21136	1	COMPLETE (XF)	
S-1529		SHIFT BAR HSG ASSY (F)	20213 ,22956	1	COMPLETE	
S-1531		SHIFT BAR HSG ASSY (STD)	20211 ,22955	1	COMPLETE	
S-1549		CASE ASSY	21318	1		
S-1659		INPUT SHAFT	20535 23566 4302661	1	2" PULL - USE W/FBC 20550	K-1996,K-2468,K-2763,K-4125
S-1660		INPUT SHAFT	20536 ,23567	1	2" PUSH - USE W/FBC 20549	
S-1736		CASE ASSY	23654	1	RTX/RTXF-11709H ONLY	
S-1794		ISOLATOR ASSY		1		
S-1826		CASE ASSY	23650	1	FOR USE W/INTEGRAL PUMP - RTX-11709H ONLY	
S-2106		REAR BRG COVER ASSY	22732 ,23368 ,4302025 ,S - 1552	1		
S-2129		SHIFT LEVER HSG ASSY		1	LOW TOWER	
S-2130		SHIFT LEVER HSG ASSY	S - 2053	1	HIGH TOWER	
S-2519		SHIFT LEVER HSG ASSY	S - 2919	1	MID TOWER	
S-2540		ROADRANGER VALVE ASSY	A - 5037	1	RT - W/SHIFT DIAGRAM MEDALLION	
S-2541		ROADRANGER VALVE ASSY	A - 5040	1	RTO - W/SHIFT DIAGRAM MEDALLION	
S-2688		MAINSHAFT ASSY	4303404 4303913	1		K-3159,K-3166



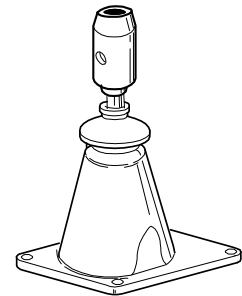
10207-9-95



K-2428 - Low
K-2978 - Mid
K-2429 - High



S-1677 - Low
S-1967 - Mid
S-1579 - High

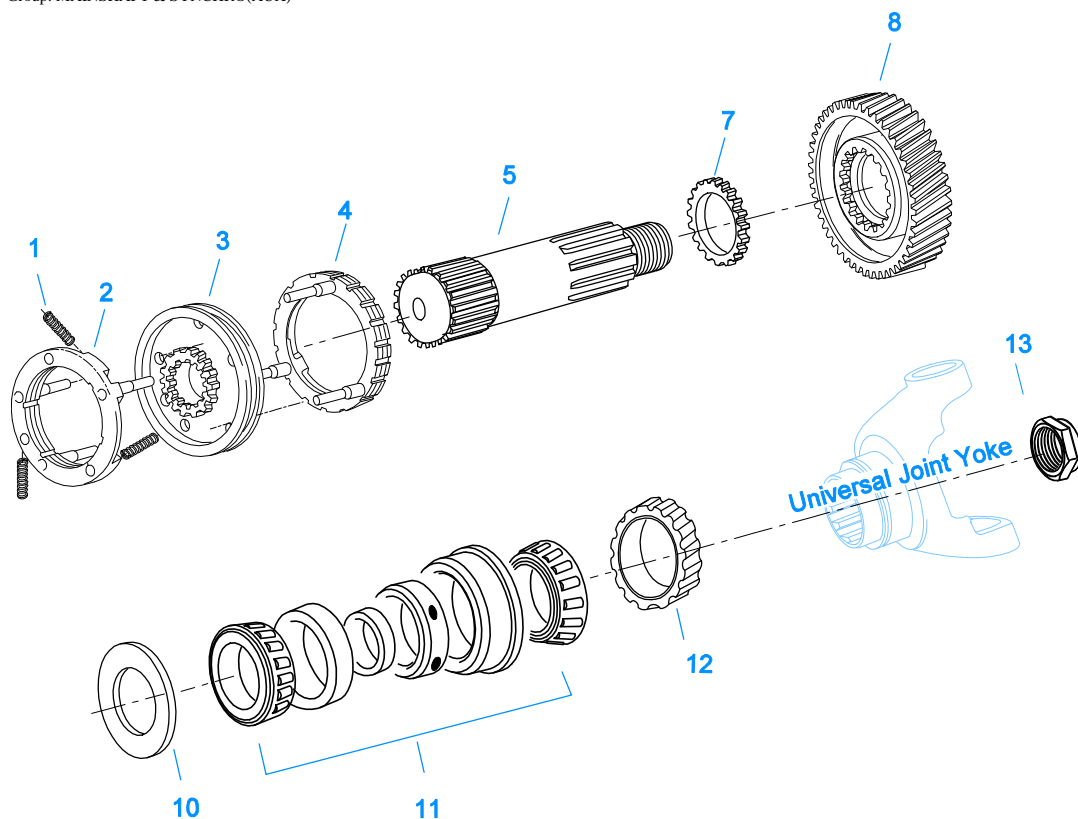


S-2129 - Low
S-2519 - Mid
S-2130 - High

LEVERS/HOUSINGS

Item	Current Part	Description	Replaced Part	Qty.	Notes	Kits/Assys Where Needed
1	K-3376	O-RING & WASHER KIT	4301211	1		
2	18299	PIN		1		K-1476,K-2977,S-1677
3	X-8C-604	CAPSCREW		4	3/8"-16X1-1/4"	S-1445,S-1446,S-1527,S-1528,S-1529,S-1531
4	X-1-600	NUT		4	3/8"-24-N.F.PLAIN	
5	X-3-600	LOCKWASHER		4	3/8"	
6	11934	STUD	7467	4		
7	K-1476	SHIFT LEVER HSG	4530 ,17163 ,18298 ,4304905 ,A - 4437	1	LOW TOWER	
8	4305294	GASKET	4303431	1		K-1476,K-2061,K-

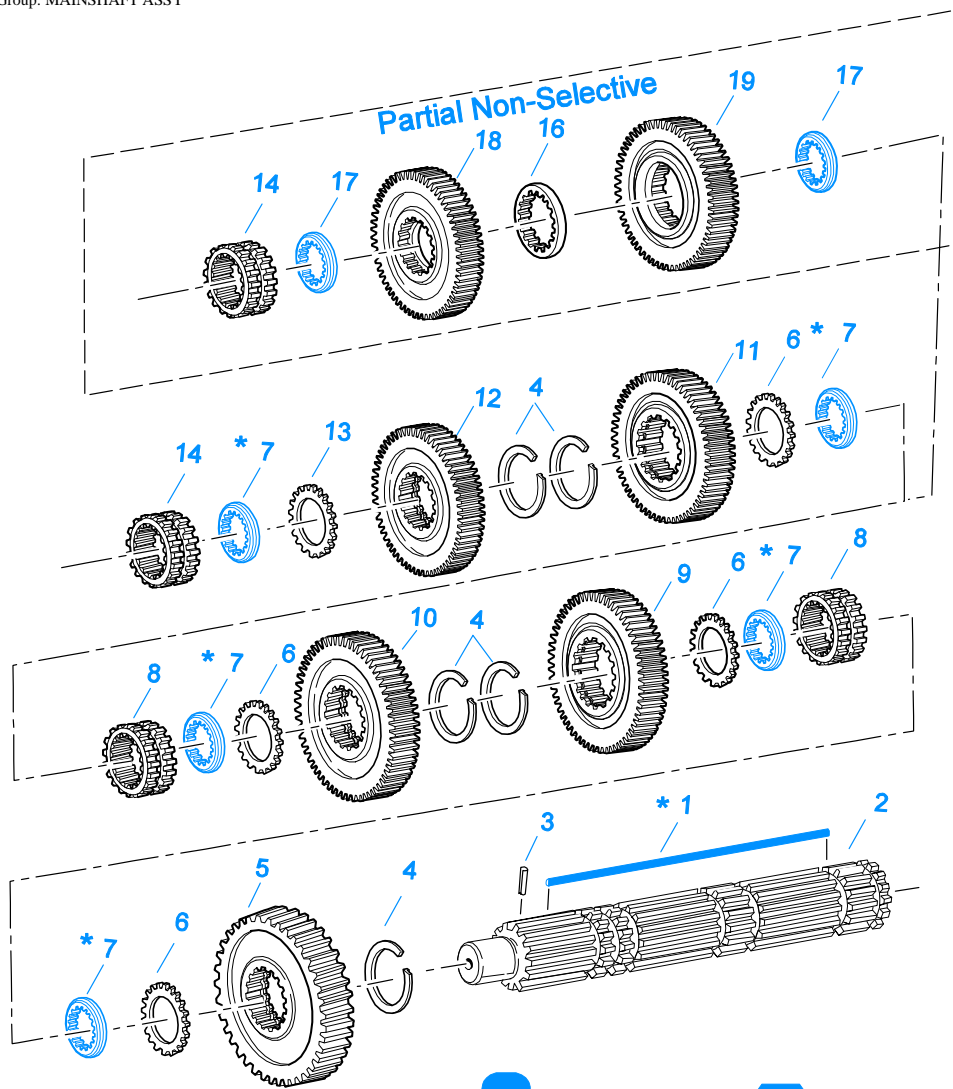
Item	Current Part	Description	Replaced Part	Qty.	Notes	Kits/Assys Where Needed
						2428,K-2429,K-2973,K-2977,K-2978,S-1527,S-1528,S-1529,S-1531,S-1579,S-1677,S-1967,S-2129,S-2130,S-2519
9	K-2977	SHIFT LEVER HSG KIT	4301167 ,4304907 ,A - 6040	1	MID TOWER	
13	4303030	PIN		1		K-2973,S-1579,S-2130
13	6541	PIN		1	3/8" - USED W/17167 ONLY	
14	K-2973	SHIFT LEVER HSG KIT	17166 ,17167 ,4303050 ,4304910 ,K - 1630 K - 1941	1	HIGH TOWER	
15	10427	BOOT		1		K-1476,K-2973,K-2977,S-1579,S-1677,S-2130
16	X-1-600	NUT		1	3/8"-24-N.F.PLAIN	
17	X-3-600	LOCKWASHER		1	3/8"	
20	17600	GEAR SHIFT LEVER		1	STRAIGHT - LOW 21-1/2"	
20	18482	GEAR SHIFT LEVER		1	STRAIGHT - HIGH 35"	
21	2538	RETAINER		1		K-1476,K-2973,K-2977,S-1579,S-1677,S-2130
22	2536	SPRING		1		K-1476,K-2973,K-2977,S-1579,S-1677,S-2130
23	K-2428	LEVER REPLACEMENT KIT		1	LOW TOWER	
23	K-2429	LEVER REPLACEMENT KIT		1	HIGH TOWER	
23	K-2978	LEVER REPLACEMENT KIT		1	MID TOWER	
24	S-1579	SHIFT TOWER ASSY		1	HIGH TOWER	
24	S-1677	SHIFT TOWER ASSY		1	LOW TOWER	
24	S-1967	SHIFT TOWER ASSY		1	MID TOWER	
33	S-2129	SHIFT LEVER HSG ASSY		1	LOW TOWER	
33	S-2130	SHIFT LEVER HSG ASSY	S - 2053	1	HIGH TOWER	
33	S-2519	SHIFT LEVER HSG ASSY	S - 2919	1	MID TOWER	



10420-1/92 Aux MS

MAINSHAFT & SYNCHRO(AUX)

Item	Current Part	Description	Replaced Part	Qty.	Notes	Kits/Assys Where Needed
1	14897	SPRING		3		K-1996,K-2049,K-2284,K-2410,K-2763,K-3492,K-3494
2	A-7331	SYNCHRONIZER ASSY	4304396 4304397 A - 5917	1	HI RANGE	K-3492,K-3494
3	20323	SLIDING CLUTCH		1		K-3494
4	A-7254	SYNCHRONIZER ASSEMBLY	A - 4937 A - 5876	1	LO RANGE	K-3492,K-3494
5	22896	AUXILIARY MAINSHAFT		1		
7	22899	WASHER		1		K-2410
8	4300035	REDUCTION GEAR	4300034	1		
10	22898	SPACER		1		K-2410
11	21355-BOX	BEARING	21355	1		K-1996,K-2049,K-2284,K-2763
12	20192	ROTOR		1		
13	22254	NUT	11956	1		



10320A-3-94 MS w/ OD

3-Sided Key Design

Hex (6-Sided) Key Design

*** Updating to 3-Sided Key is Recommended.**
When Updating to 3-Sided Key Replace all Washers to Match Key Design
Always Use Matching Key and Washer Sets (See Appendix - Mainshaft Washers)

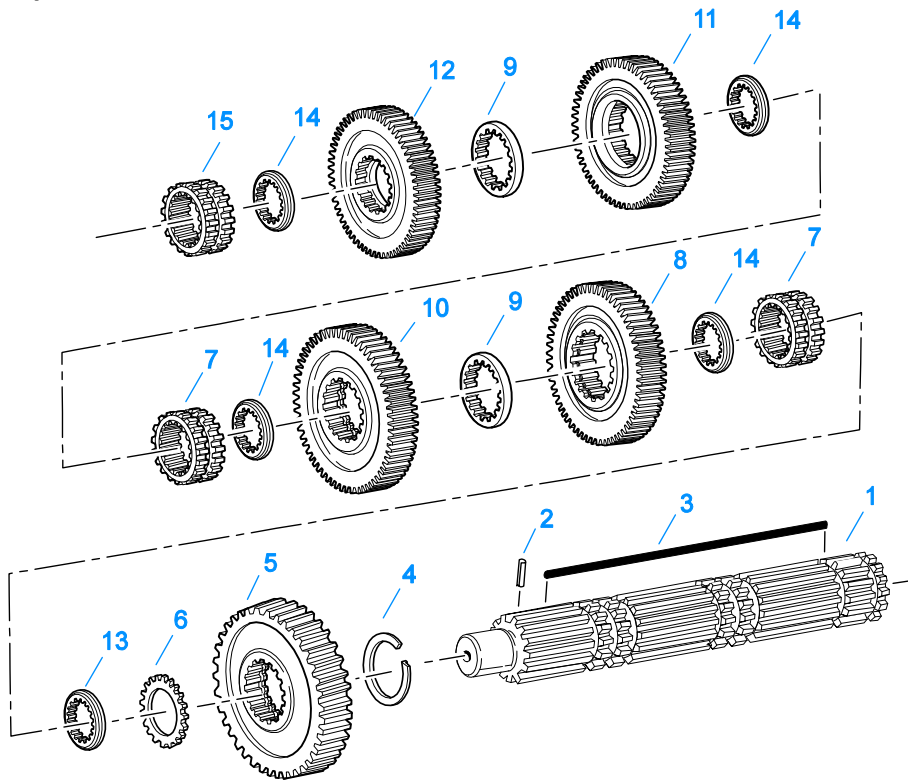
MAINSHAFT ASSY

Item	Current Part	Description	Replaced Part	Qty.	Notes	Kits/Assys Where Needed
1	4304614	3-SIDED KEY	4300890	1		K-2366,K-2410,K-3159,K-3166
1	K-2366	KEY & WASHER KIT	21326 ,4300763 ,4304614	1	CONTAINS 3-SIDED KEY	
2	S-2688	MAINSHAFT ASSY	4303404 4303913	1		K-3159,K-3166
3	62504	ROLL PIN		1		S-2688
4	14750	SNAP RING		5		K-1996,K-2049,K-2284,K-2410,K-2468,K-2763,K-4125
5	23653	REVERSE GEAR-MAINSHAFT		1		
6	14749	SPACER		4		K-2410
7	14711	WASHER .248-.250 WHITE	18701	5	OPTIONAL 14711-14716 USE ANY 5	

Item	Current Part	Description	Replaced Part	Qty.	Notes	Kits/Assys Where Needed
7	14712	WASHER .253-.255 GREEN	18702	5	WASHERS USE WITH 21326 KEY	
7	14713	WASHER .258-.260 ORANGE	18703	5	OPTIONAL 14711-14716 USE ANY 5 WASHERS USE WITH 21326 KEY	
7	14714	WASHER .263-.265 PURPLE	18704	5	OPTIONAL 14711-14716 USE ANY 5 WASHERS USE WITH 21326 KEY	
7	14715	WASHER .268-.270 YELLOW	18705	5	OPTIONAL 14711-14716 USE ANY 5 WASHERS USE WITH 21326 KEY	
7	14716	WASHER .273-.275 BLACK	18706	5	OPTIONAL 14711-14716 USE ANY 5 WASHERS USE WITH 21326 KEY	
7	4300382	WASHER .249-WHITE		5		K-2366,K-2410
7	4300383	WASHER .254-GREEN		5	OPTIONAL 4300382-4300387 OR 4300830 USE ANY 5 WASHERS. USE WITH 3-SIDED KEY	K-2366,K-2410
7	4300384	WASHER .259-ORANGE		5	OPTIONAL 4300382-4300387 OR 4300830 USE ANY 5 WASHERS. USE WITH 3-SIDED KEY	K-2366,K-2410
7	4300385	WASHER .264-PURPLE		5	OPTIONAL 4300382-4300387 OR 4300830 USE ANY 5 WASHERS. USE WITH 3-SIDED KEY	
7	4300386	WASHER .269-YELLOW		5	OPTIONAL 4300382-4300387 OR 4300830 USE ANY 5 WASHERS. USE WITH 3-SIDED KEY	
7	4300387	WASHER .274-BLACK		5	OPTIONAL 4300382-4300387 OR 4300830 USE ANY 5 WASHERS. USE WITH 3-SIDED KEY	
7	4300830	WASHER .244-BLUE		5		K-2366,K-2410
8	16118	SLIDING CLUTCH		2		K-1996
9	4300242	LOW GEAR-MAINSHAFT	4300033	1		
10	21024	1ST GEAR-MAINSHAFT	19628	1		
11	19622	2ND GEAR-MAINSHAFT	21263 ,4300246	1		
12	23102	OD GEAR-MAINSHAFT	22960 ,4300190	1		
13	22032	SPACER		1	BACK TAPERED CLUTCHING TEETH	K-2410
14	4304317	SLIDING CLUTCH	22026	1	BACK TAPERED CLUTCHING TEETH	K-2763
16	4303603	WASHER	4302397	1		K-3159,K-3166
17	4302398	WASHER		2	USE 3-SIDED KEY ONLY	K-3159,K-3166
18	4302393	OD GEAR-MAINSHAFT	4305070	1	USE 3-SIDED KEY ONLY	K-3166
19	4302394	2ND GEAR-MAINSHAFT	4302395	1	USE 3-SIDED KEY ONLY	

MISCELLANEOUS

Item	Current Part	Description	Replaced Part	Qty.	Notes	Kits/Assys Where Needed
20398		SHIFT DIAGRAM LABEL	19675	1	RT/RTF/RTX/RTXF-11709H, RT/RTX-11709A & RTX-11709B	
20399		SHIFT DIAGRAM LABEL	19677 ,19679	1	RTO-11709A & B	
71203		SILICONE LUBE		1	8 OZ (236.59 CC)-FLEET SIZE	
71204		ADHESIVE SEALANT		1	0.5 CC (SINGLE APPLICATION SIZE)	
71205		SEALANT		1	2 CC (SINGLE APPLICATION SIZE)	K-1996,K-2763
71206		SILICONE LUBE		1	4 CC (SINGLE APPLICATION SIZE)	K-1431,K-1450,K-2428,K-2429,K-2978

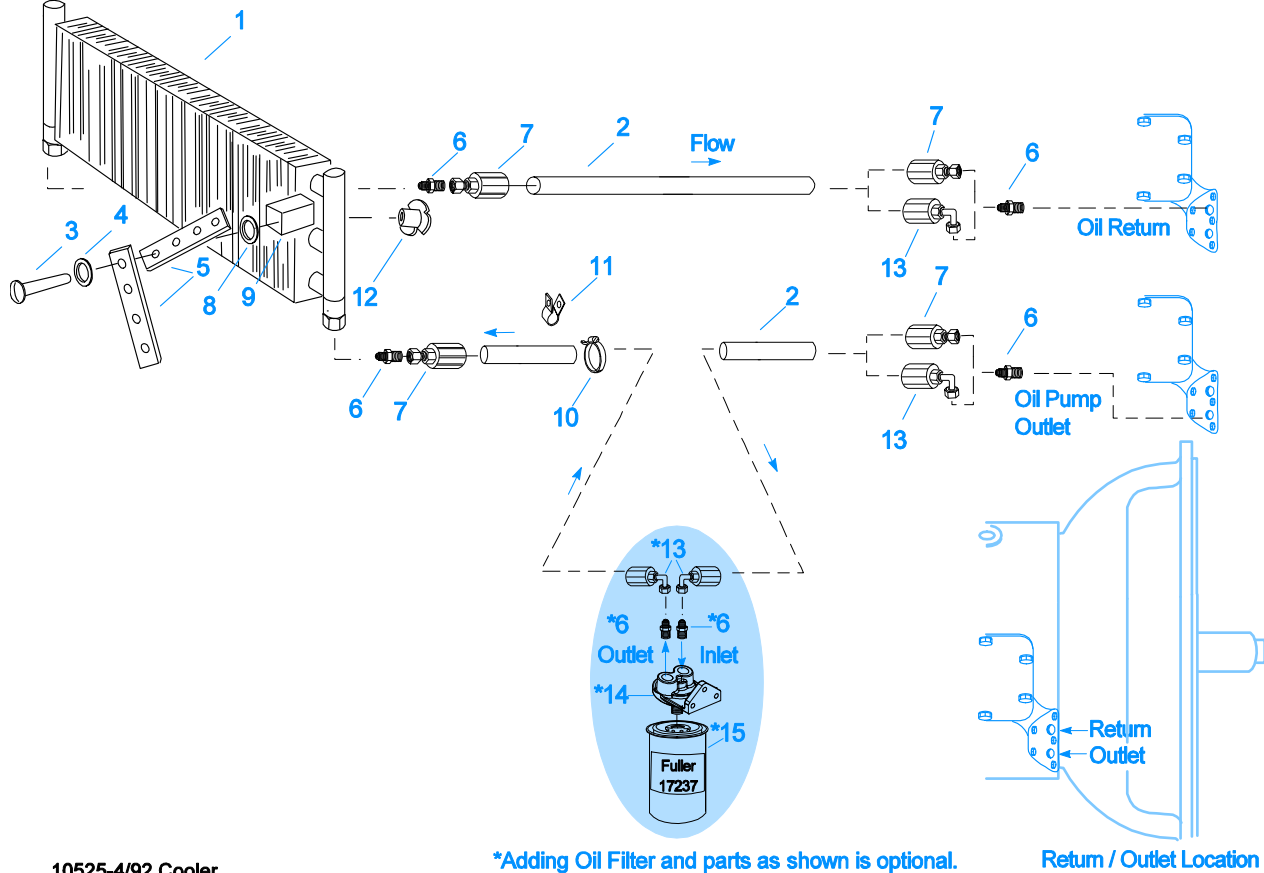


10337B-10-96

NON-SELECTIVE M/S ASSY

Item	Current Part	Description	Replaced Part	Qty.	Notes	Kits/Assys Where Needed
1	S-2688	MAINSHAFT ASSY	4303404 4303913	1		K-3159,K-3166
2	62504	ROLL PIN		1		S-2688
3	4304614	3-SIDED KEY	4300890	1		K-2366,K-2410,K-3159,K-3166
4	14750	SNAP RING		1		K-1996,K-2049,K-2284,K-2410,K-2468,K-2763,K-4125
5	23653	REVERSE GEAR-MAINSHAFT		1		
6	14749	SPACER		1		K-2410
7	16118	SLIDING CLUTCH		2		K-1996
8	4303412	LO GEAR-MAINSHAFT	4303410	1		K-3166
9	4303603	WASHER	4302397	2		K-3159,K-3166
10	4303420	1ST GEAR-MAINSHAFT	4303408	1		
11	4302394	2ND GEAR-MAINSHAFT	4302395	1		
12	4302393	OD GEAR-MAINSHAFT	4305070	1		K-3166
13	4300830	WASHER .244-BLUE		1		K-2366,K-2410
14	4302398	WASHER		4		K-3159,K-3166
15	4304317	SLIDING CLUTCH	22026	1		K-2763

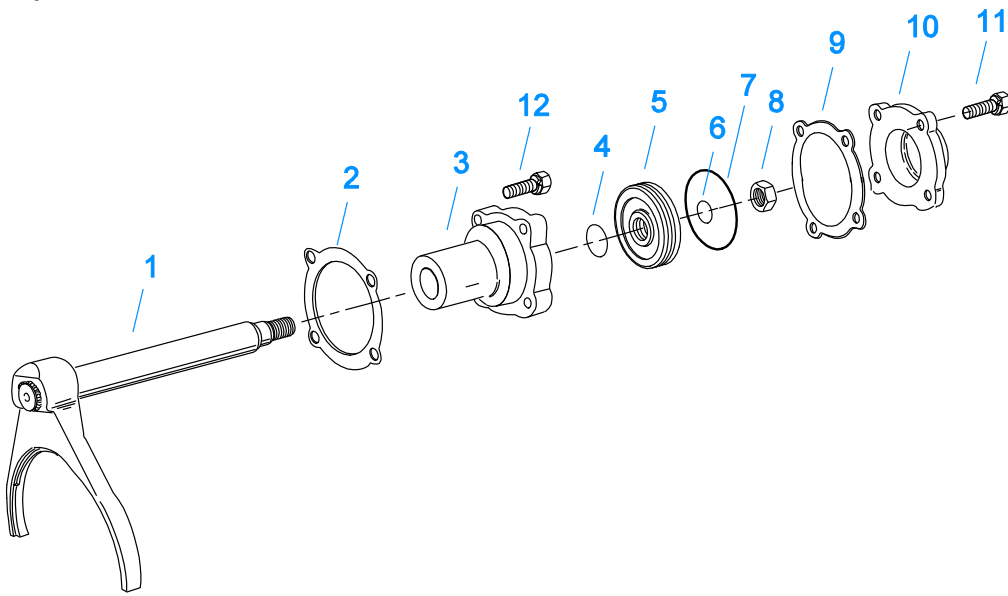
Group: OIL COOLER



10525-4/92 Cooler

OIL COOLER

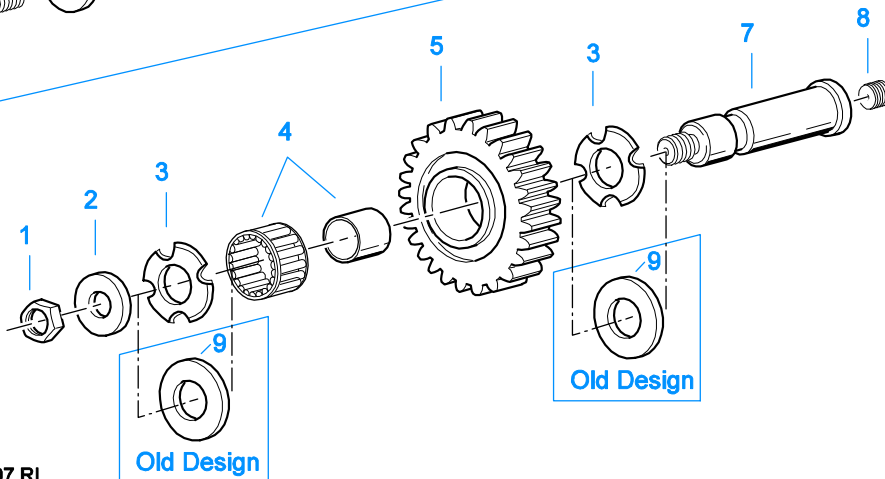
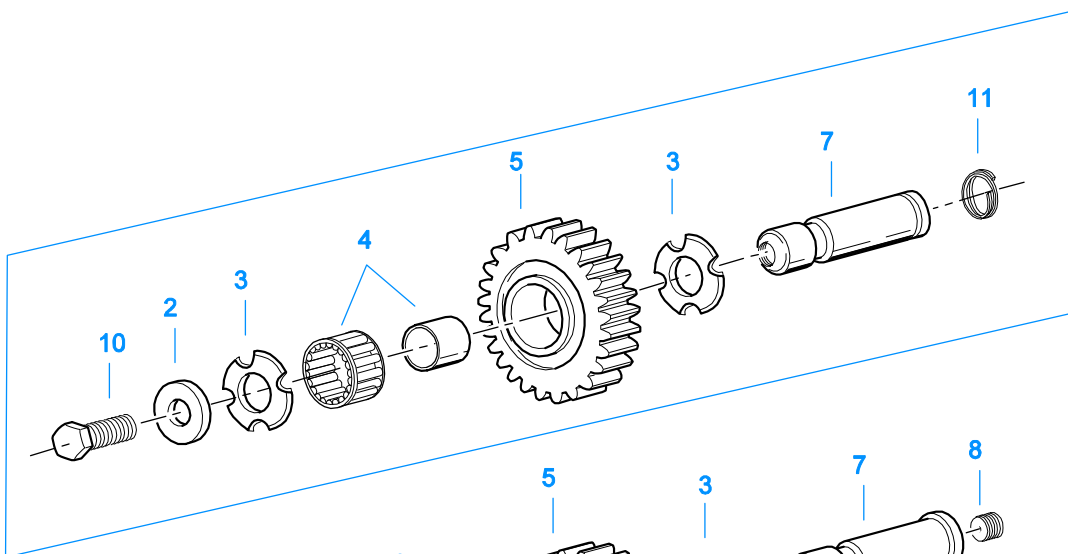
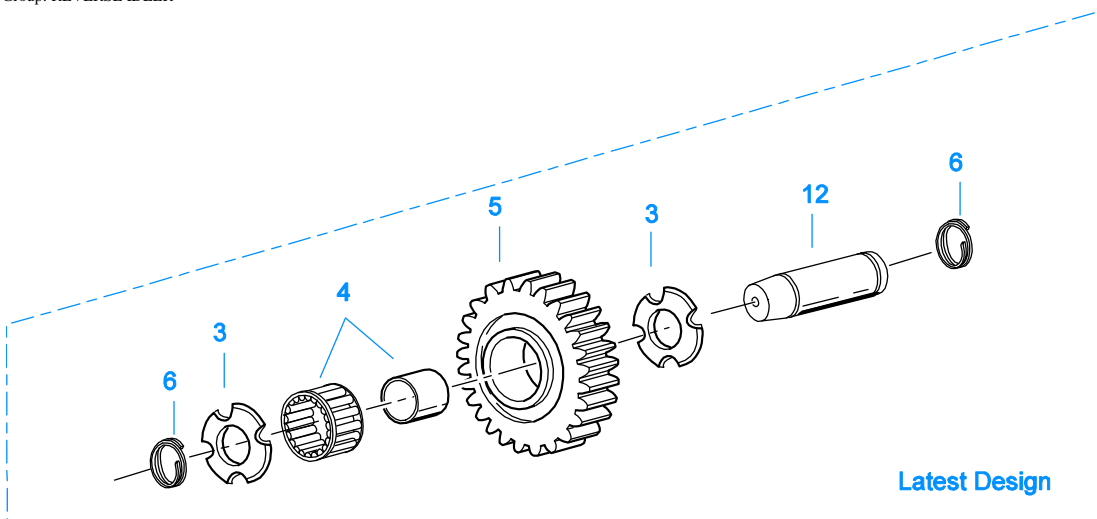
Item	Current Part	Description	Replaced Part	Qty.	Notes	Kits/Assys Where Needed
1	18025	OIL COOLER		1		K-1956
2	19424	HOSE		1	25 FEET	K-1956
3	X-8-535	CAPSCREW		2	5/16"-16X2-1/2"	
4	X-3-506	LOCKWASHER		2	5/16"	
5	18211	BRACKET		4		K-1956
6	19419	CONNECTOR		6		K-1956,S-1404
7	19415	SWIVEL		4		K-1956
8	X-10-501	WASHER		2	5/16"	
9	18209	PLUG-RUBBER MOUNT		2		K-1956
10	17190	STRAP		8		K-1956
11	19423	CLAMP		5		K-1956
12	18210	NUT		2		K-1956
13	19422	ELBOW		4		K-1956
14	S-1404	OIL FILTER	17238	1		
15	17237	FILTER ELEMENT		1		S-1404



10461-2/92 Rng Cyl

RANGE CYLINDER

Item	Current Part	Description	Replaced Part	Qty.	Notes	Kits/Assys Where Needed
1	A-5474	SHIFT YOKE ASSY		1		
2	14347	GASKET		1		K-1431,K-2061
3	16778	AUXILIARY CYLINDER		1		K-1431
4	14765	-O- RING		1		K-1431,K-1450
5	14341	PISTON	23353	1		K-1431
6	14345	-O- RING		1		K-1431,K-1450
7	14344	-O- RING		1		K-1431,K-1450
8	X-1-1010	NUT		1	5/8"-18	
9	14349	GASKET		1		K-1431,K-1450,K-2061
10	19690	CYLINDER COVER		1		
11	X-8L-604	CAPSCREW		4	3/8" - 16X1-1/4"	
12	X-8L-600	CAPSCREW		4	3/8"-16X1"	

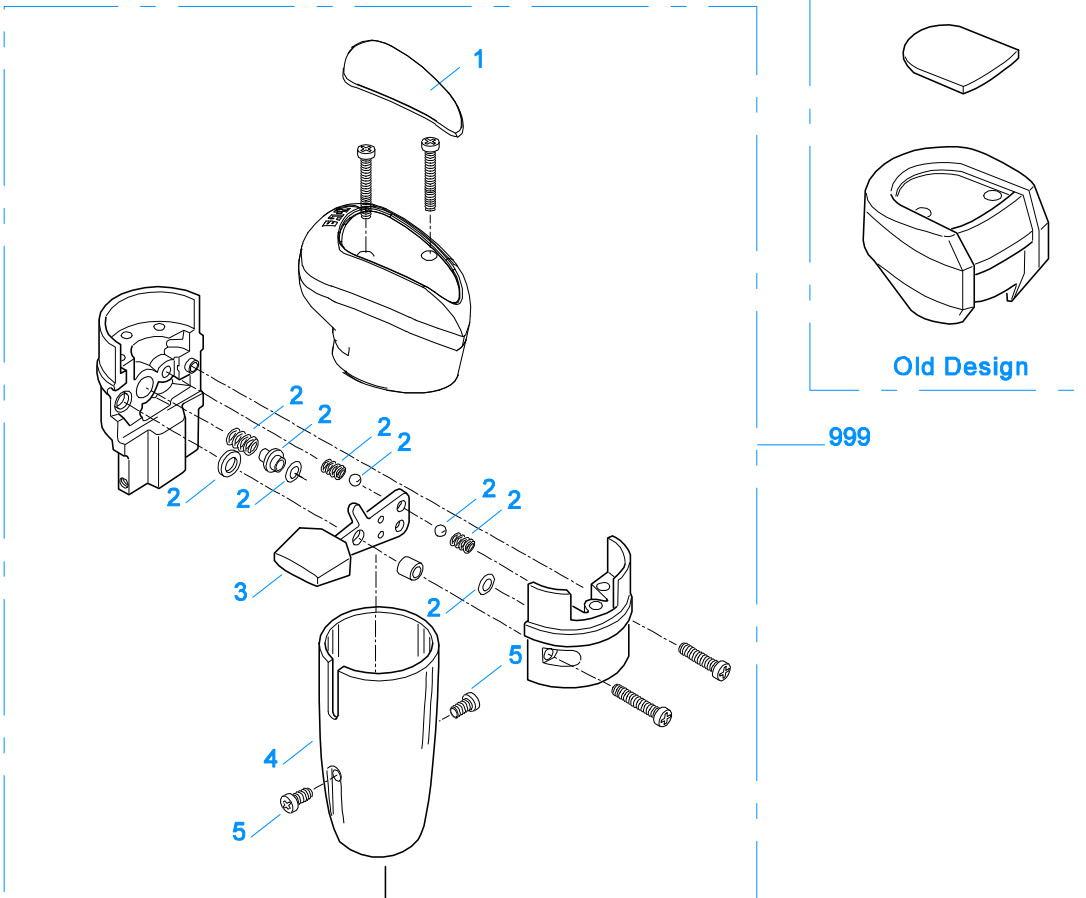


11383-5-97 RI

REVERSE IDLER

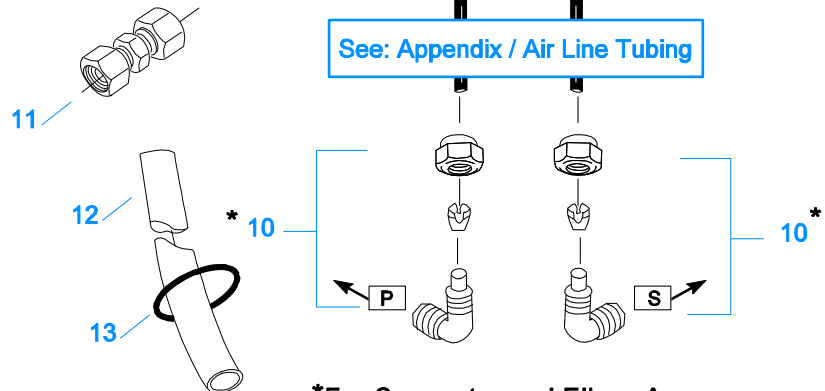
Item	Current Part	Description	Replaced Part	Qty.	Notes	Kits/Assys Where Needed
1	X-1-1008	NUT		2	5/8"-18	
2	14283	WASHER		2		
3	4302982	WASHER	14282	4		K-3209,S-1549,S-1736,S-1826
4	14287	BEARING	4305020	2		K-1996,K-2049,K-2284,K-2763
5	16757	REVERSE IDLER GEAR	22409	2		
6	4303336	RETAINING RING		4		K-3209
7	K-3209	IDLER SHAFT REPL KIT	16405 ,4302981	2		

Item	Current Part	Description	Replaced Part	Qty.	Notes	Kits/Assys Where Needed
			,4305513			
8	5202	PLUG		2		
9	14282	NO LONGER AVAILABLE		4		
10	X-7-1008	CAPSCREW		2	5/8"-18X1-1/4	
11	4303336	RETAINING RING		2		K-3209
12	4305513	IDLER SHAFT		2		K-3209



2 Valve Repair Kit

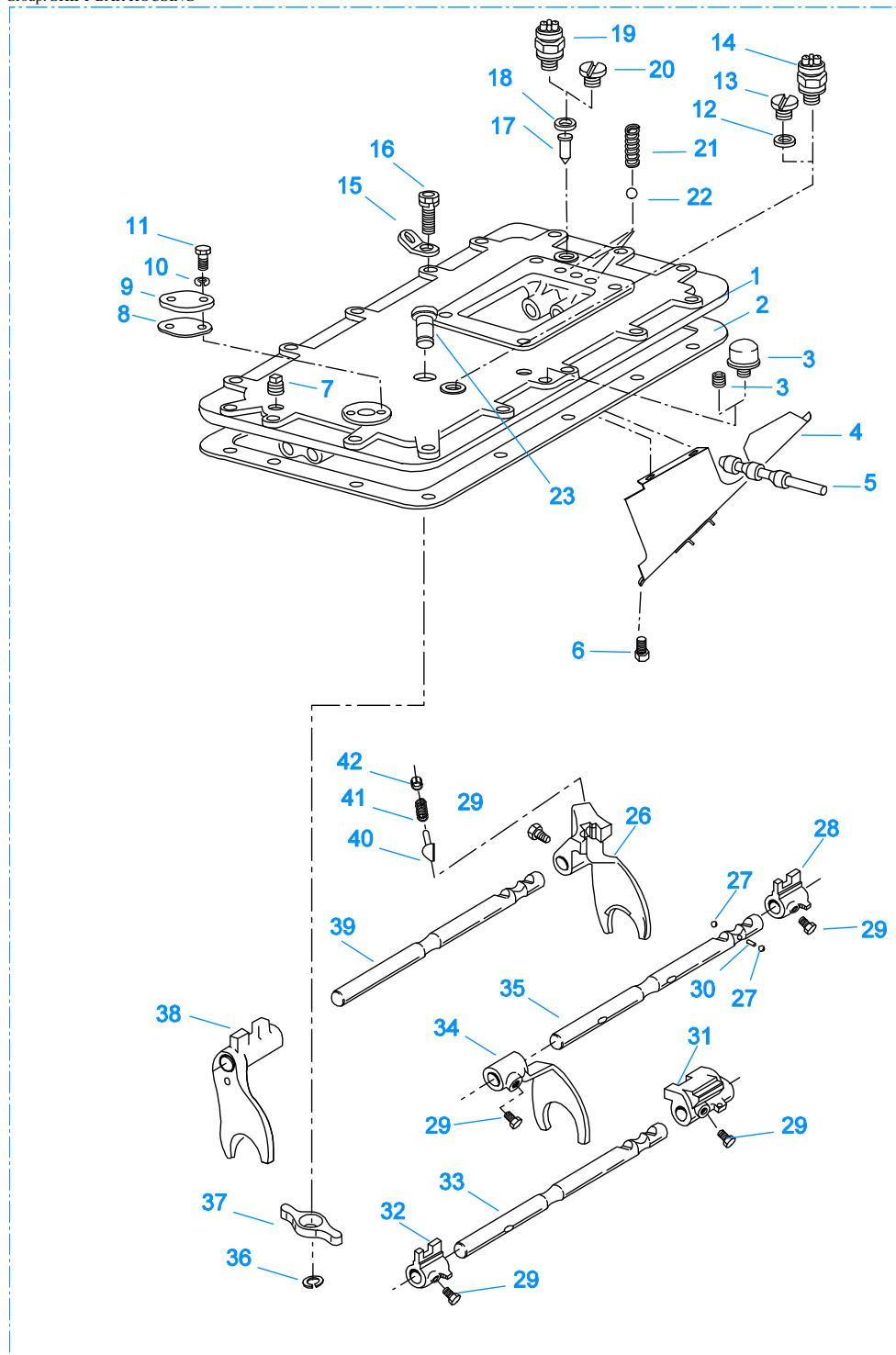
See: Appendix / Air Line Tubing



*For Connector and Elbow Assy component information see Appendix.

ROADRANGER VALVE

Item	Current Part	Description	Replaced Part	Qty.	Notes	Kits/Assys Where Needed
1	20107	MEDALLION, LOGO		1	(OLD DESIGN) FULLER LOGO ONLY	
1	5586100	MEDALLION, LOGO		1	(LATEST DESIGN) FULLER LOGO ONLY	A-6909
1	5586104	SHIFT DIAGRAM MEDALLION		1	RT	S-2540
1	5586105	SHIFT DIAGRAM MEDALLION		1	RTO	S-2541
2	K-1921	MASTER VALVE REPAIR KIT		1	FOR A-6909 & A-5010 VALVES	
3	20495	LEVER		1		A-6909
4	20112	COVER		1		A-6909
5	X-8-213	SCREW	X 8 202	2	8-32X3/8"	
6	X-9-802	NUT		1	1/2"-13	
7	84001	CONNECTOR ASSY	82501	2	1/8" TUBE-1/16" NPTF	
7	84003	CONNECTOR ASSY	82503	2	5/32" TUBE-1/16" NPTF	
7	84005	CONNECTOR ASSY		2	"PUSH-TO-CONNECT" 5/32" TUBE-1/16" NPTF	
10	85001	ELBOW ASSY	84501	2	5/32" TUBE-1/8" NPTF	K-2763
10	85002	ELBOW ASSY	84502	2	1/8" TUBE-1/8" NPTF	K-1996
10	85003	ELBOW ASSY		2	"PUSH-TO-CONNECT" 5/32" TUBE-1/8" NPTF	
11	84101	UNION ASSY		1	1/8" TUBING	
11	84102	UNION ASSY		1	5/32" TUBING	
11	84103	UNION ASSY		1	"PUSH-TO-CONNECT" 5/32" TUBING	
12	80120	SHEATHING (50 FT ROLL)		1	5/32" - BLACK 50'	
13	13571	-O- RING CLAMP		1		
999	A-6909	ROADRANGER VALVE ASSY	A - 5010 ,A - 5310	1	STANDARD-W/LOGO	
999	S-2540	ROADRANGER VALVE ASSY	A - 5037	1	RT - W/SHIFT DIAGRAM MEDALLION	
999	S-2541	ROADRANGER VALVE ASSY	A - 5040	1	RTO - W/SHIFT DIAGRAM MEDALLION	



999

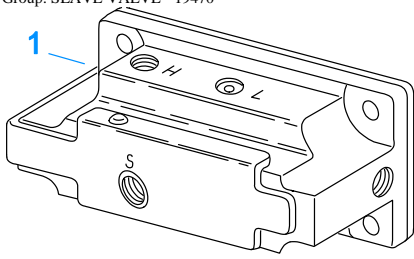
10244-11-96 X-Bar

SHIFT BAR HOUSING

Item	Current Part	Description	Replaced Part	Qty.	Notes	Kits/Assys Where Needed
1	S-1445	SHIFT BAR HSG	18920 ,20135 ,20214 ,20215 ,20487 21135 ,4302452	1	HOUSING ONLY (X)	
2	4302676	GASKET	14918	1		K-2061,S-1527,S-1528,S-1529,S-1531
3	4304602	BREATHER	23605	1	1/4" NPT	
3	X-12-404	PIPE PLUG		1	1/4" NPT	

Item	Current Part	Description	Replaced Part	Qty.	Notes	Kits/Assys Where Needed
4	20070	OIL TROUGH		1		S-1527,S-1528,S-1529,S-1531
5	20332	AIR VALVE SHAFT	17177	1		S-1527,S-1528,S-1529,S-1531
6	X-8-423	CAPSCREW		2	1/4"-20X1/2"	
7	X-12-603	PIPE PLUG	X12 602	1	3/8" NPT	
8	20209	GASKET		1		K-2061,S-1440,S-1441,S-1445,S-1446,S-1527,S-1528,S-1529,S-1531
9	20199	PLATE	18724	1		S-1440,S-1441,S-1445,S-1446,S-1527,S-1528,S-1529,S-1531
10	X-3-400	LOCKWASHER		2	1/4"	
11	X-8-406	CAPSCREW		2	1/4"-20X3/4"	
12	17179	GASKET		1		S-1440,S-1441,S-1445,S-1446,S-1527,S-1528,S-1529,S-1531
13	4303655	PLUG	17178	1		S-1440,S-1441,S-1445,S-1446,S-1527,S-1528,S-1529,S-1531
14	22941	NEUTRAL LIGHT SWITCH	12639	1	SWITCH NORMALLY CLOSED	
15	20815	LIFTING EYE	17105	2		
16	X-8L-602	CAPSCREW		2	3/8"-16X1-1/2"	
16	X-8L-604	CAPSCREW		16	3/8"-16X1-1/4"- OR USE 14 PCS OF X-8L-604 WITH 2 PCS OF X-8L-602	
17	15899	PIN		1		S-1440,S-1441,S-1445,S-1446,S-1527,S-1528,S-1529,S-1531
18	15900	GASKET		1		S-1440,S-1441,S-1445,S-1446,S-1527,S-1528,S-1529,S-1531
19	22940	REVERSE LIGHT SWITCH	16830	1	SWITCH NORMALLY OPEN	
20	4303656	PLUG	15917	1		S-1440,S-1441,S-1445,S-1446,S-1527,S-1528,S-1529,S-1531
21	15918	SPRING		3		K-1996,K-2410,K-2763,S-1527,S-1528,S-1529,S-1531
22	X-14-800	STEEL BALL		3	1/2"	
23	K-3104	ACTUATOR PIN KIT	4303287	1		
26	16131	SHIFT YOKE		1	REVERSE/LO	S-1219,S-1527,S-1531
27	X-14-1200	STEEL BALL		2	3/4"	
28	14658	SHIFT BLOCK		1	1ST/2ND	S-1527,S-1531
29	3220	LOCKSCREW		5		S-1527,S-1528,S-1529,S-1531
30	1634	INTERLOCK PIN		1		K-2410,S-1527,S-1528,S-1529,S-1531
31	19063	SHIFT BLOCK		1	3RD/OD	S-1527
32	20120	SHIFT BLOCK	18924	1	3RD/OD	S-1527,S-1528
33	18928	YOKE BAR	4302760	1	3RD/OD	S-1527
34	18922	SHIFT YOKE		1	1ST/2ND	S-1527,S-1528
35	18927	YOKE BAR		1	1ST/2ND	S-1527
36	4302070	SNAP RING		1		K-3104,S-1527,S-1528
37	4303225	ACTUATOR		1		S-1527,S-1528
38	4305575	SHIFT YOKE	20450	1	3RD/OD	S-1527,S-1528
39	18926	YOKE BAR		1	REVERSE/LO	S-1527
40	10019	PLUNGER		1		S-1219,S-1527,S-1528,S-1529,S-1531
41	6392	SPRING		1		K-2410,S-1219,S-1527,S-1528,S-1529,S-1531
42	8968	PLUG		1		S-1219,S-1527,S-1528,S-1529,S-1531
999	S-1527	SHIFT BAR HSG ASSY	20215 ,21135 ,4302452	1	COMPLETE (X)	

Group: SLAVE VALVE - 19470



10121-1/92 19470 SV

SLAVE VALVE - 19470

Item	Current Part	Description	Replaced Part	Qty.	Notes	Kits/Assys Where Needed
1	K-2424	VALVE REPLACEMENT KIT	19470	1		



10120-10-97 A-5000 SV

2 Repair Kit

SLAVE VALVE - A-5000

Item	Current Part	Description	Replaced Part	Qty.	Notes	Kits/Assys Where Needed
1	A-5000	SLAVE VALVE ASSY	20850	1		K-2424
2	K-1935	REPAIR KIT-SLAVE VALVE		1	FOR A-5000 VALVE	
3	20855	PLUG		1		A-5000
4	20854	PISTON		1		A-5000
5	20849	CAP	15131	1		A-5000
7	S-1516	CAP ASSY	20851 ,20853	1		
8	X-8C-413	CAPSCREW		3	1/4"-20X1-1/2"	

For parts or service call us
Pro Gear & Transmission, Inc.



1 (877) 776-4600

(407) 872-1901

parts@eprogear.com

906 W. Gore St.

Orlando, FL 32805

