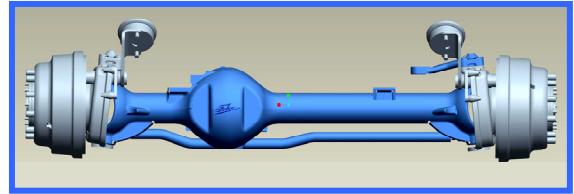




AUTOMOTIVE CORPORATION



## STEERABLE DRIVE AXLE SPECIFICATIONS FABCO MODELS FSD-8A, FSD-10A, FSD-12A, FSD-13A, FSD-14A

<b>Nominal Capacities lb.</b>	8,000, 10,000, 12,000, 13,200 14,000, 14,600
<b>Brakes</b>	
Type	Drum, S-cam
Size	16.5-inch Diameter, EES-420 Lining Material
Chamber	20 Square Inch
Certification	FMVSS 121
Slack Adjusters	Automatic
<b>Housing</b>	Fabricated Steel, Offset & Center Differential Positions
<b>Camber</b>	1/2 Degrees Positive
<b>Wheels</b>	
Mounting	10-Studs on 285.75mm BC, hub piloted 10-Studs on 11.25-inch BC, stud piloted 10-Studs on 335 mm BC, hub piloted
Minimum Wheel Size	20 Inch
<b>Differential Carrier</b>	Hypoid
Ring Gear Diameter	12.20 Inch
Pinion Spline	2.00-inch diameter, 39 spline involute
Single Reduction Ratios	3.07, 3.31, 3.58, 3.73, 3.91, 4.10, 4.30, 4.56, 4.78, 4.88, 5.13, 5.38, 5.57, 5.86, 6.14, 6.50
<b>Universal Joint</b>	Double Cardan
<b>Kingpins</b>	
Type	Spherical
Inclination	5 Degrees
<b>Track</b>	91.1 Inches over wheel Mounting Faces
<b>Axle Shafts</b>	
Spline	1.85 Inch Diameter, 36 Spline Involute
Body	1.80 Inch Diameter
<b>Turn Angle</b>	42 Degrees Available
<b>Lubrication</b>	
Type	SAE 90, 140, 80W-140, Synthetic Acceptable
<b>Weight – Dry</b>	1,390-lb.

**OPTIONS:**

- TrueTrac Limited Slip Differential
- Dual Steering Arms
- Spring Seat Width and Centers
- Caster Angle
- Consult Fabco Sales for additional options

Approval of use contingent up on Fabco application review.

For parts or service call us  
Pro Gear & Transmission, Inc.



**1 (877) 776-4600**

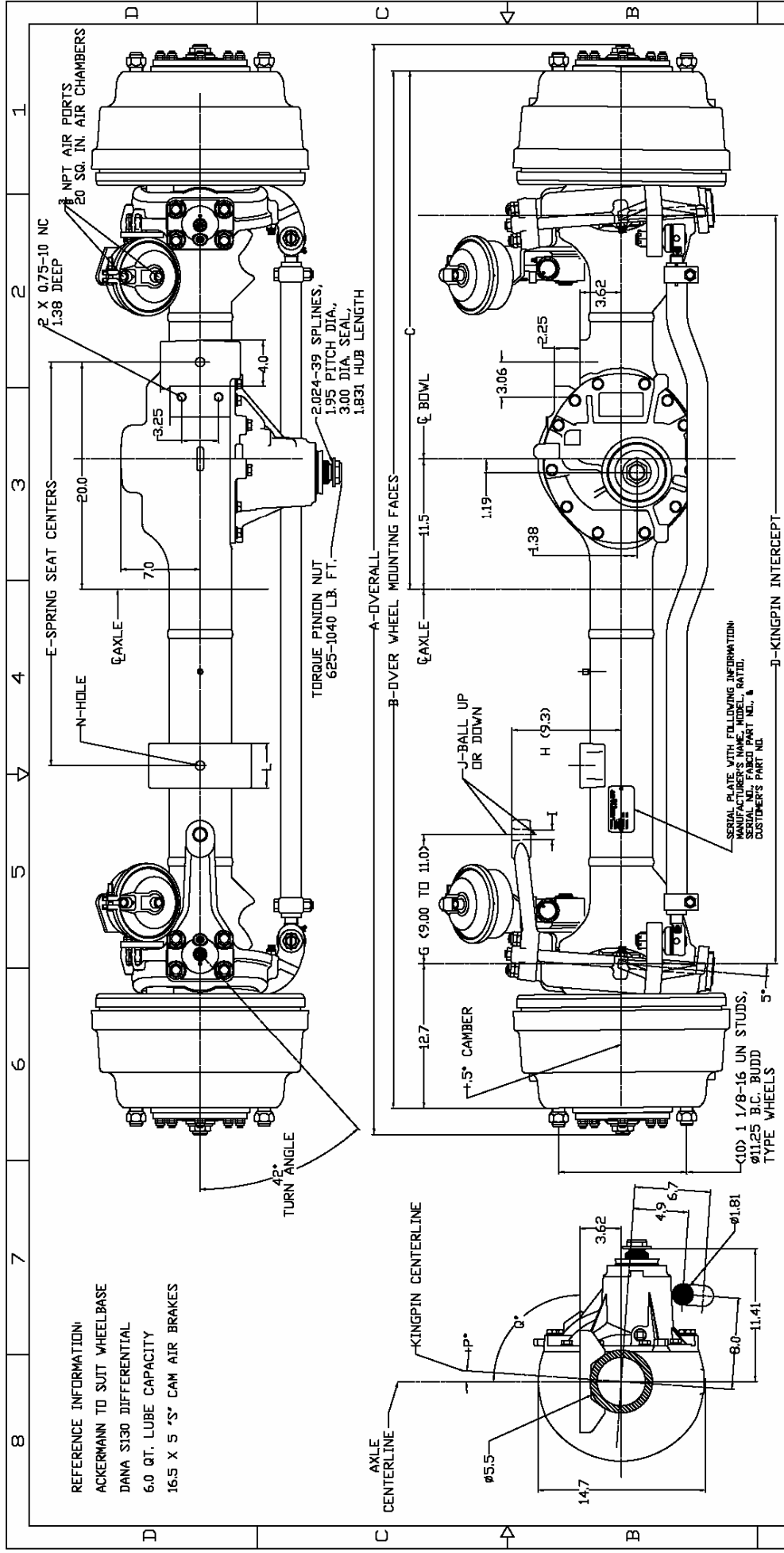
**(407) 872-1901**

**[parts@eprogear.com](mailto:parts@eprogear.com)**

**906 W. Gore St.**

**Orlando, FL 32805**





REFERENCE INFORMATION:  
 ACKERMANN TO SUIT WHEELBASE  
 DANA S130 DIFFERENTIAL  
 6.0 QT. LUBE CAPACITY  
 16.5 X 5 "S" CAM AIR BRAKES

NOTE: ALL DIMENSIONS ARE REFERENCE.  
 SINGLE REDUCTION RATIO: 3.07, 3.31, 3.58, 3.73, 3.91, 4.10, 4.30, 4.56,  
 4.78, 4.88, 5.13, 5.38, 5.57, 5.86, 6.14, 6.50

STANDARD: CUSTOMER TO SPECIFY.

A	B	C	D	E	F	G	H	I	J	K	L	M	N	P	Q	R
96.091.1	45.665.8															
CUSTOMER PART NO.	FABCD PART NO.	RATIO														
		AVAILABLE OPTIONS: DUAL STEERING ARMS STUD PILDED WHEEL MOUNTING ABS PROVISION														

INSECT DAMAGE PROTECT ALL TELEPHONE ARE AS FOLLOWS:  
 RECORD NO. 555 158  
 DATE 12/12/02  
 BY K. HAUGEN  
 SCALE 1/4  
 PART NUMBER 555 158  
 AXLE, STEERABLE DRIVE,  
 MODEL FSD-12A  
 NUMBER OF PART NUMBERS 555 158  
 PART NAME AXLE, STEERABLE DRIVE, MODEL FSD-12A  
 ALL TELEPHONE INFORMATION FOR THIS YEAR